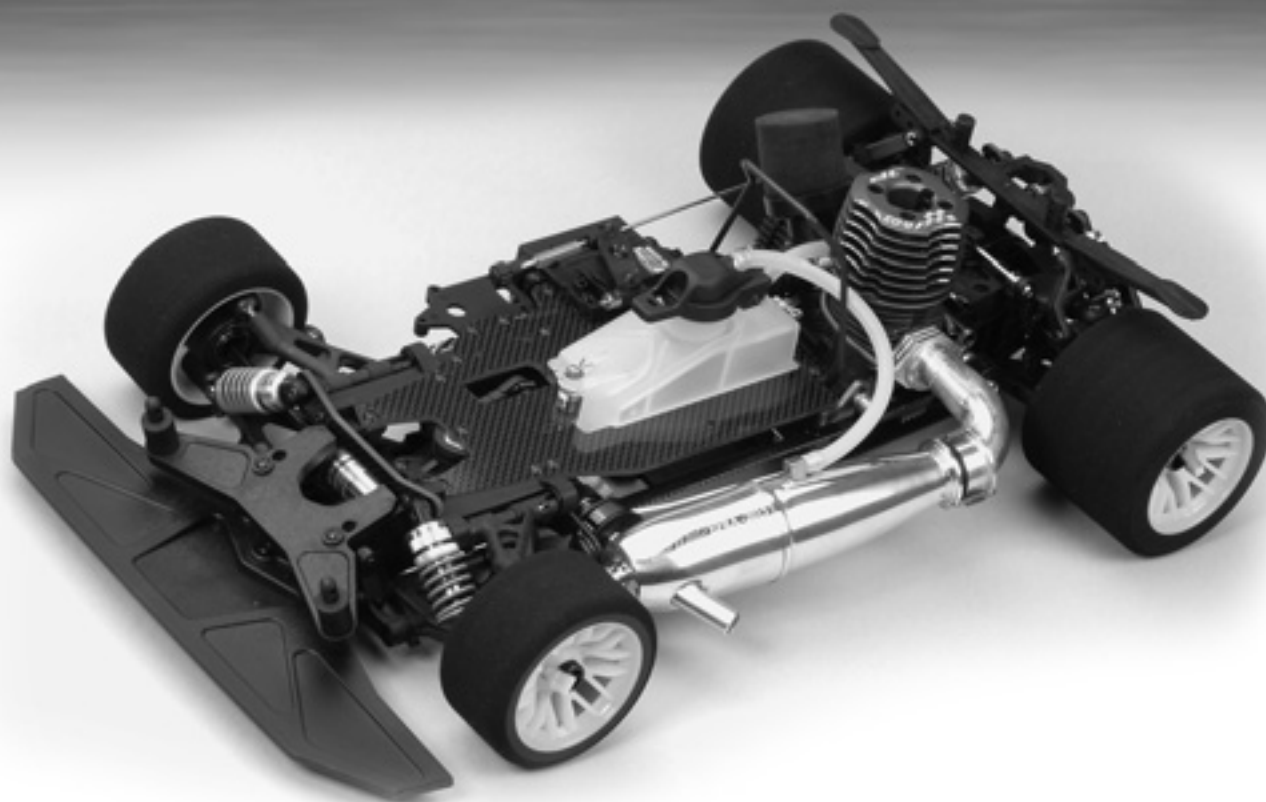


VXR-8

IC POWERED ON-ROAD RACING CAR

Instruction manual • Bouwhandleiding • Bauanleitung • Instruction de montage



PROTECH®

SERVICE

SAS: Service after sales

Please note that only manufacturing faults or problems caused by manufacturer faults will be repaired on the account of SAS. It is not possible to claim warranty if the problem is caused by misuse of this product.

PROTECH cannot be held responsible for damage or any claims arising from the use of this product.

Please use the diagrams in this instruction book to find the spare parts that you need

SAV: Service après vente

Ne seront pris en charge par le SAV, que les pièces présentant un vice de fabrication. En aucun cas, la mauvaise utilisation du produit ne peut engendrer un SAV gratuit.

PROTECH ne peut pas être rendu responsable pour des dommages ou réclamations provenant de l'usage de ce produit.

Afin de faciliter la recherche de vos pièces détachées, veuillez-consulter la page 36 de cette notice

SNV: Service na verkoop

Alléén fabricagefouten of problemen veroorzaakt door een fabricagefout zullen op rekening van de SNV hersteld worden. Er kan nooit aanspraak gemaakt worden op een gratis herstelling door de SNV als de problemen voortkomen uit een verkeerd gebruik van het produkt

PROTECH kan niet verantwoordelijk gesteld worden voor schaden of vorderingen voortvloeiend uit het gebruik van dit produkt

Om het zoeken van het onderdeel dat u nodig hebt te vergemakkelijken, gelieve de onderdelenlijst op pagina 36 van deze handleiding te raadplegen

KD : Kundendienst

Nur Herstellungsfehler oder durch Herstellungsfehler verursachte Probleme werden für Rechnung des KD repariert. Die Garantie kann nicht in Anspruch genommen werden, wenn das Problem auf eine unsachgemäße Verwendung des Erzeugnisses zurückzuführen ist.

PROTECH kann nicht für Schäden oder Ansprüche haftbar gemacht werden, die sich aus der Verwendung dieses Produkts ergeben.

Bitte verwenden Sie die in diesem Anweisungsheft auf Seite 36 abgedruckten Diagramme, um die Ersatzteile zu finden, die Sie benötigen.

PROTECH

TEL: ++ 32 14 25 92 83

FAX: ++ 32 14 25 92 89

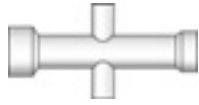
email: info@promodels.be

<http://www.protech.be>

PROTECH

**TOOLS REQUIRED / BENODIGDE GEREEDSCHAPEN
OUTILS RECOMMANDES / BENOTIGDE WERKZEUGE**

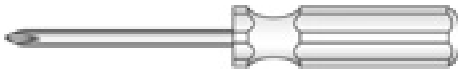
Cross wrench
Clé en croix
Kruissleutel
Kreuzschlüssel



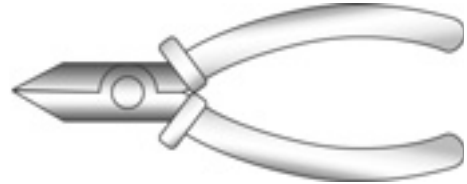
Needle nose pliers
Pince à bec
Bek tang
Beiszange



Philips screw driver
Tournevis Philips
Philips schroevendraaier
Schraubendreher



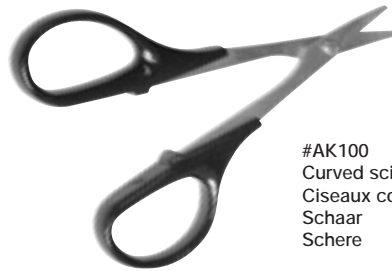
Wire cutter
Pince coupante
Draad stripper
Kneifzange



Sharp hobby knife
Couteau de modéliste
Scherp hobbymes
Hobby Messer



#T0158
Hex wrench set
Tournevis allen
Zeskant sleutelset
Sechskant-Steckschlüssel Satz



#AK100
Curved scissors
Ciseaux courbe
Schaar
Schere



Protech Racing Finish
Special paint for polycarbonate
Peinture spéciale pour le polycarbonate
Spuitsbus voor polycarbonaat
Sprüh dose für Polycarbonat

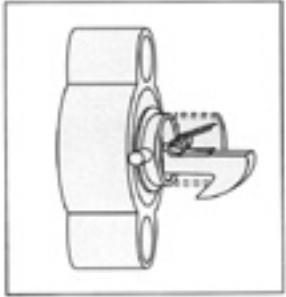
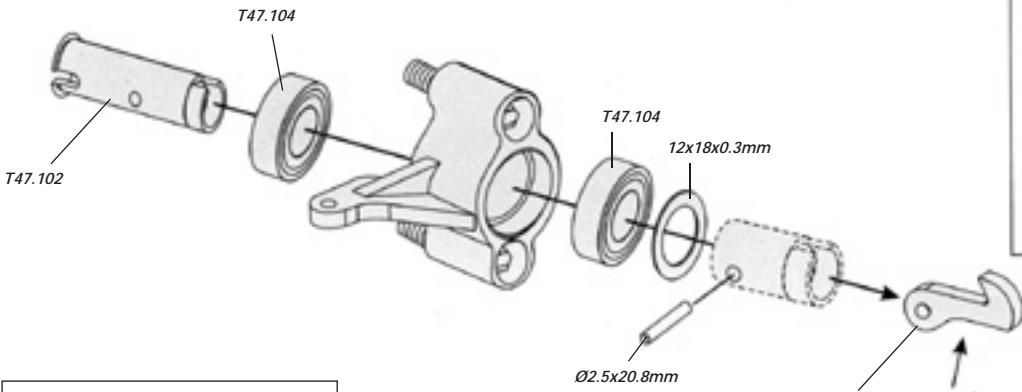
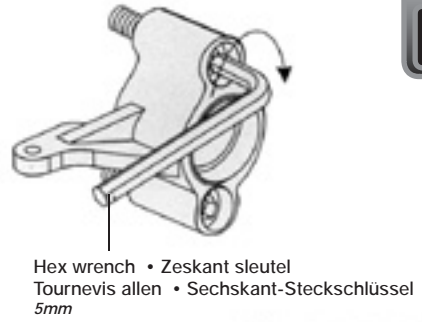
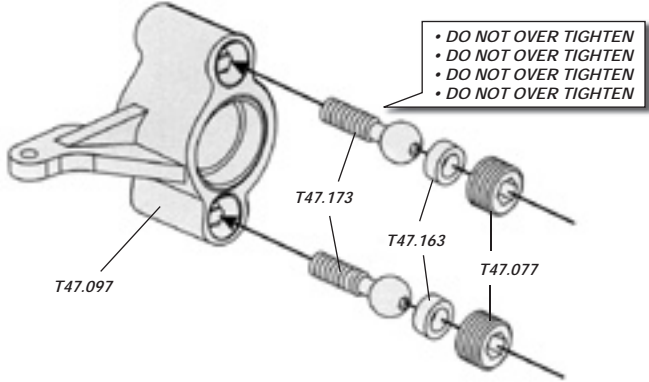


#A105-25
Instant glue
Secondenlijm
Colle cyanoacrylate
Sekundenkleber



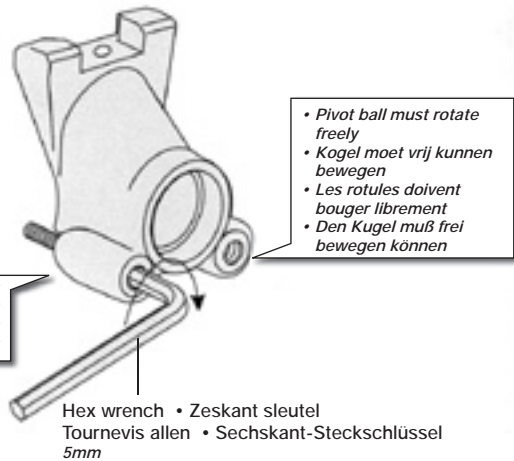
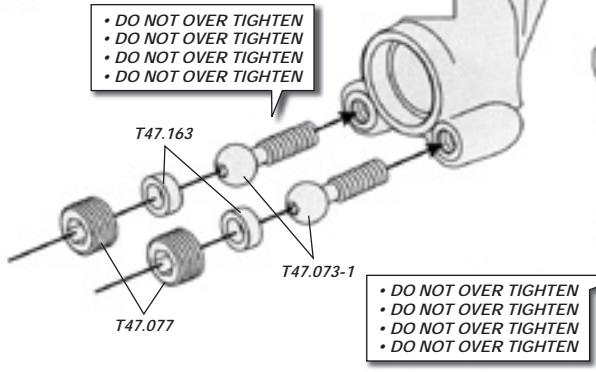
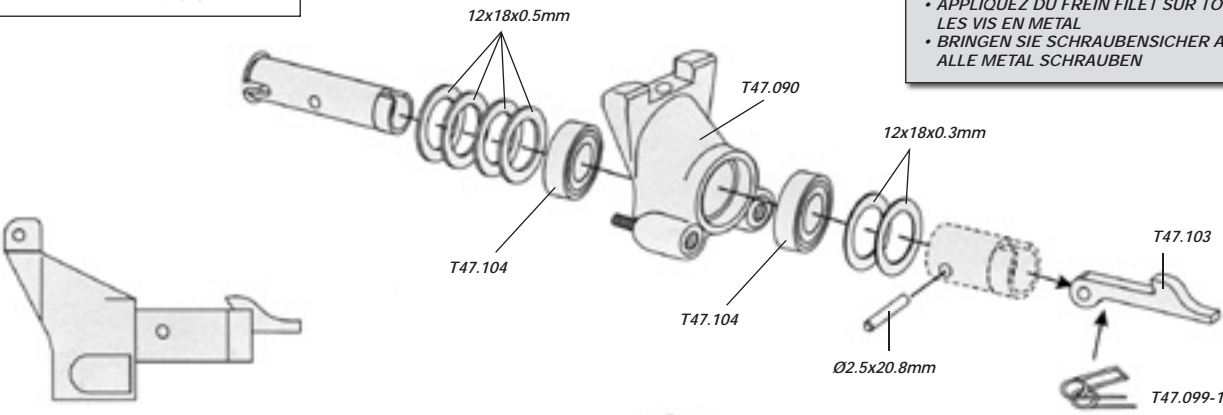
#LX906
Air filter oil
Huile pour filtre à air
Olie voor luchtfilter
Öl für Luft Filter

Assemble the steering knuckles FR & R / Bouwen van de stuurblokken V & A
 Assemblage du fusée de direction AV & AR / Zusammenstellen von die Achsschenkel V & H



- Front • Voor
 Avant • Vorne
 T47.073
- Back • Achter
 Arrière • Hinten
 T47.073-1

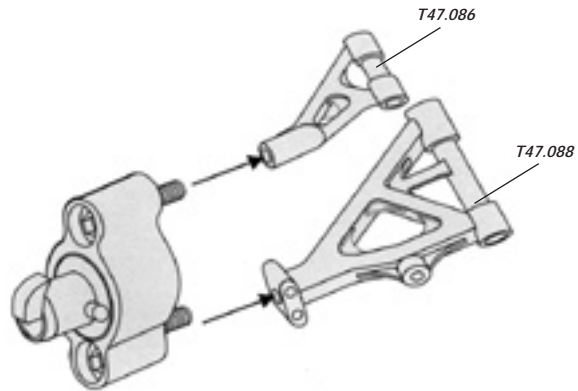
- LOCTITE ALL METAL-METAL FASTENERS
- BRENG OP ALLE METAAL-METAAL CONTACTEN BORGMIJDEL AAN
- APPLIQUEZ DU FREIN FILET SUR TOUTES LES VIS EN METAL
- BRINGEN SIE SCHRAUBENSICHER AN AUF ALLE METAL SCHRAUBEN



Assembly of the front suspension / Montage van de voorste ophanging /
Montage de la suspension avant / Montierung von die vordere Querlenker

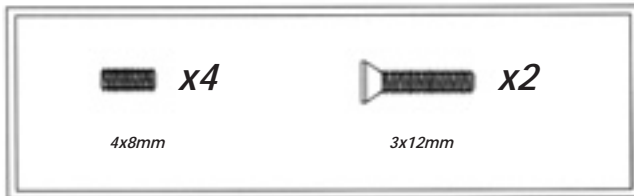
B
BAG

2x

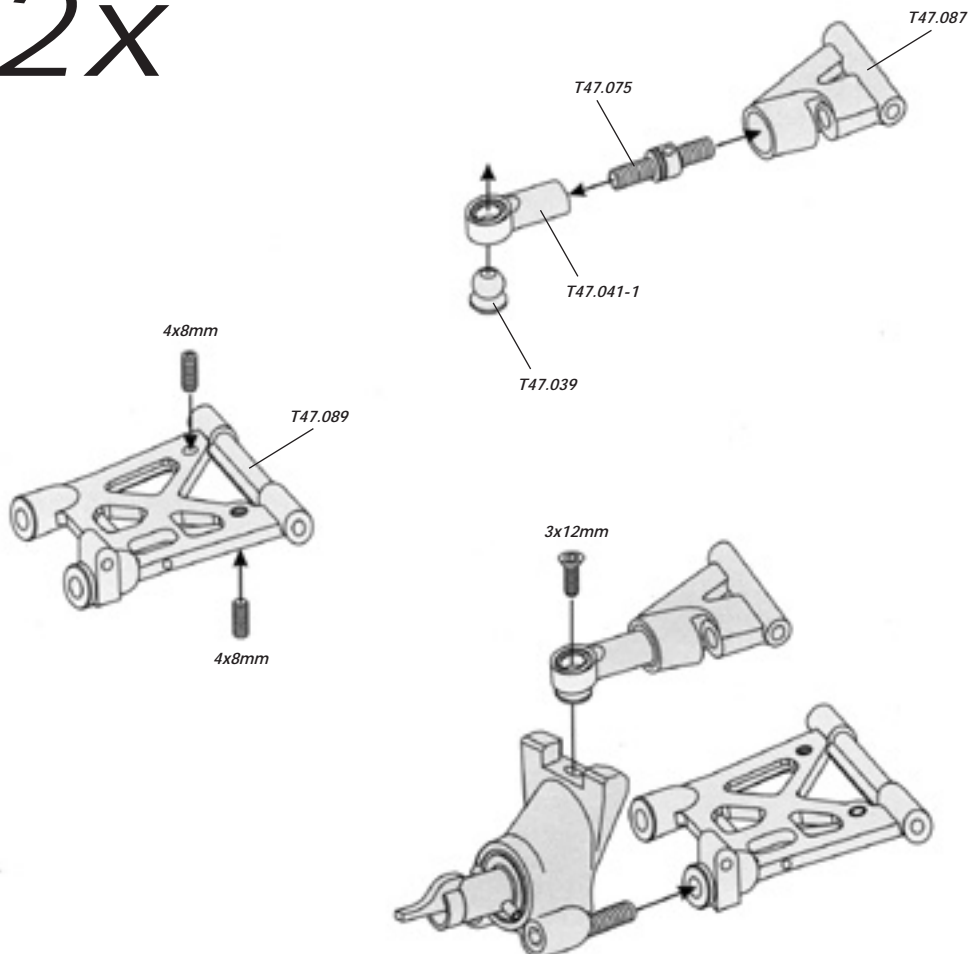


Assembly of the rear suspension / Montage van de achterste ophanging /
Montage de la suspension arrière / Montierung von die hintere Querlenker

B
BAG

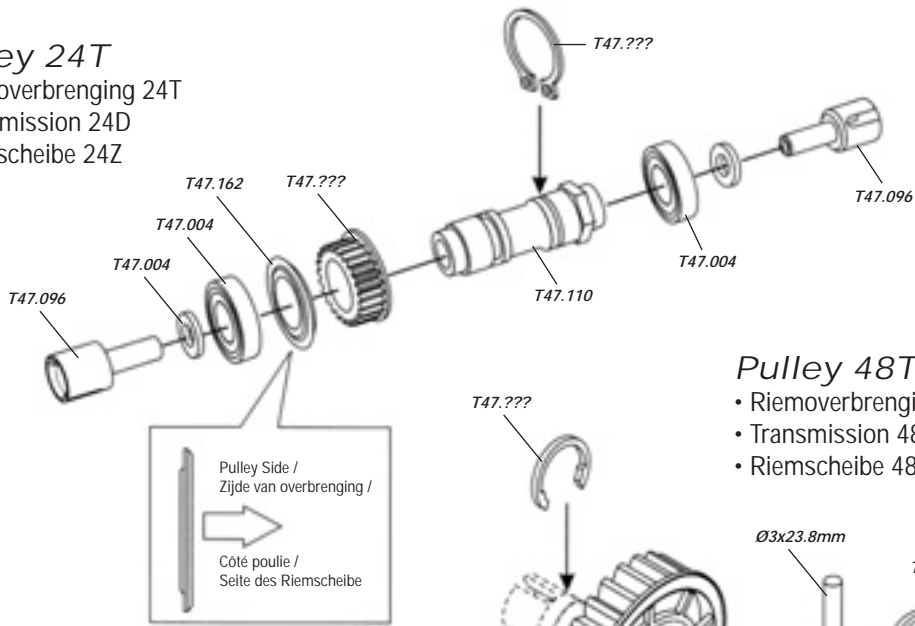


2x



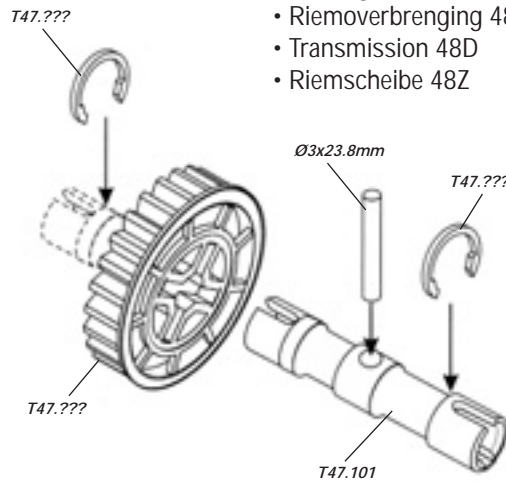
Pulley 24T

- Riemoverbrenging 24T
- Transmission 24D
- Riemscheibe 24Z



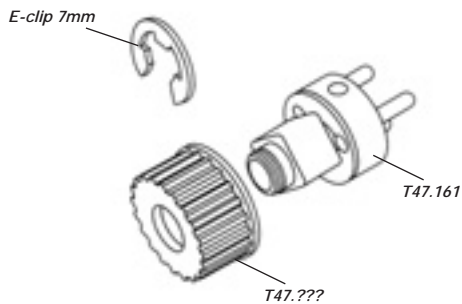
Pulley 48T

- Riemoverbrenging 48T
- Transmission 48D
- Riemscheibe 48Z



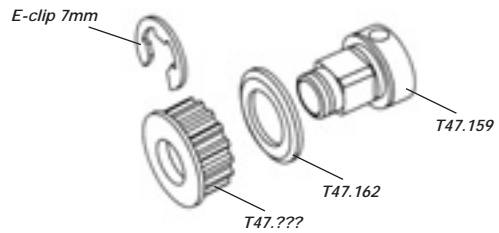
Pulley 20T

- Riemoverbrenging 20T
- Transmission 20D
- Riemscheibe 20Z



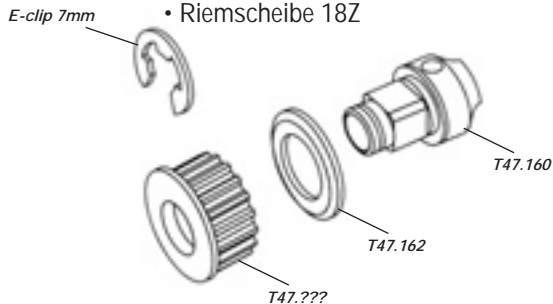
Pulley 16T

- Riemoverbrenging 16T
- Transmission 16D
- Riemscheibe 16Z



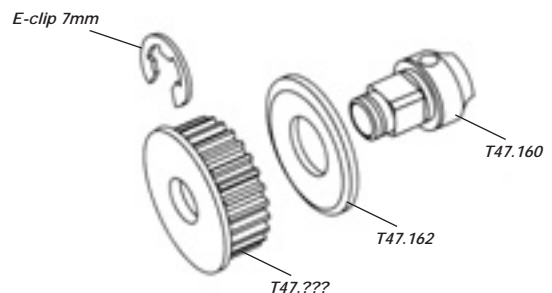
Pulley 18T

- Riemoverbrenging 18T
- Transmission 18D
- Riemscheibe 18Z

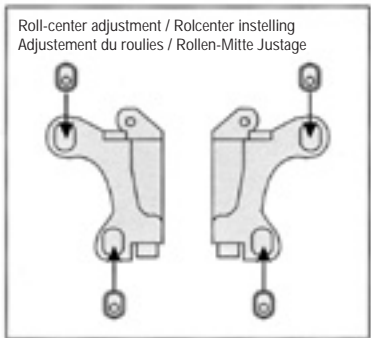
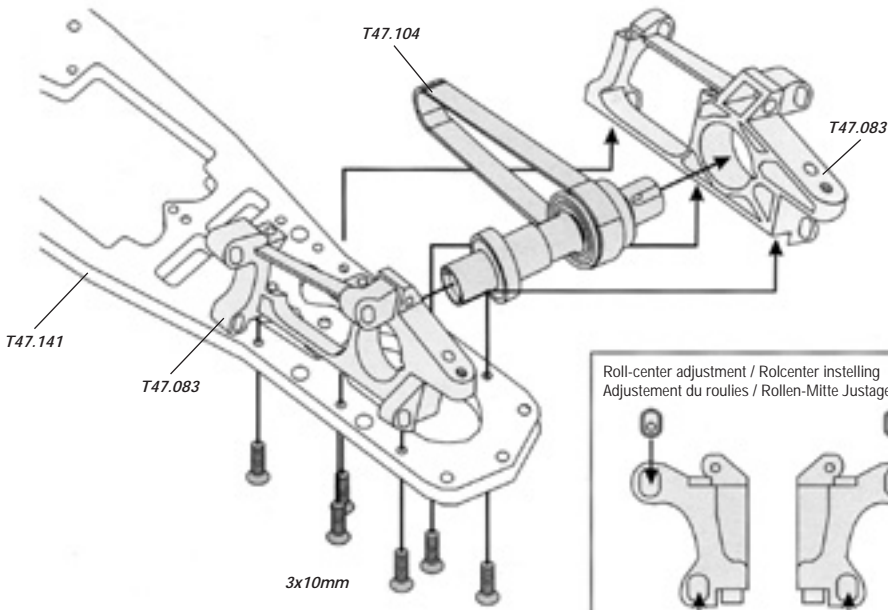


Pulley 26T or 25T

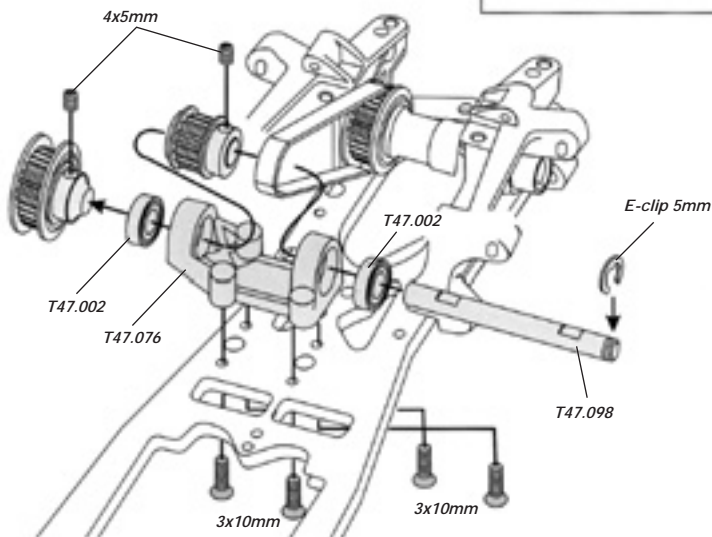
- Riemoverbrenging 26T of 25T
- Transmission 26D ou 25D
- Riemscheibe 26Z oder 25Z



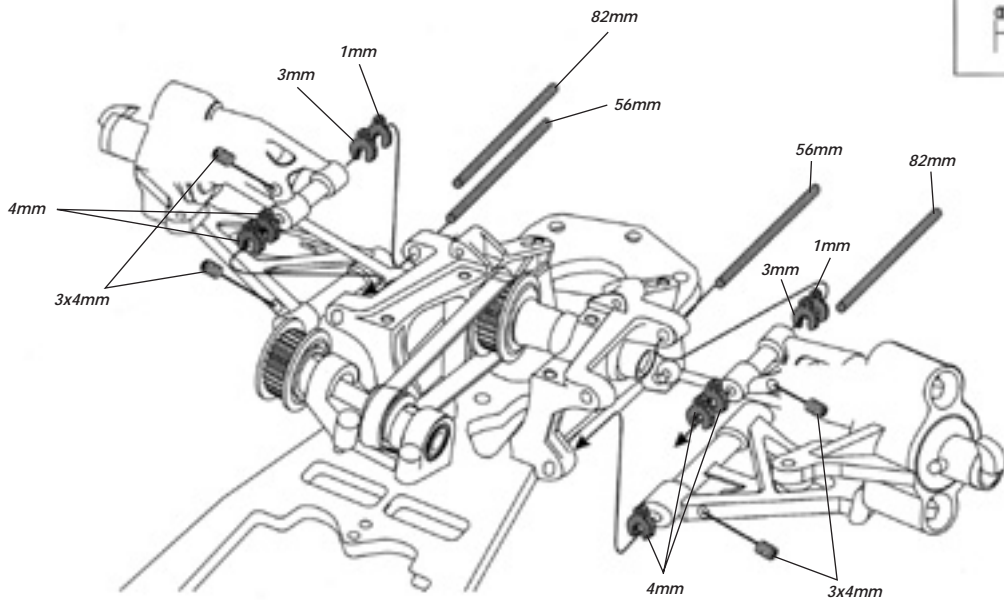
Mounting the transmission / Monteren van de overbrengingen
 Montage du transmission / Montierung von die Überbringungen



- x4**
3x4mm
- x2**
4x5mm
- x10**
3x10mm



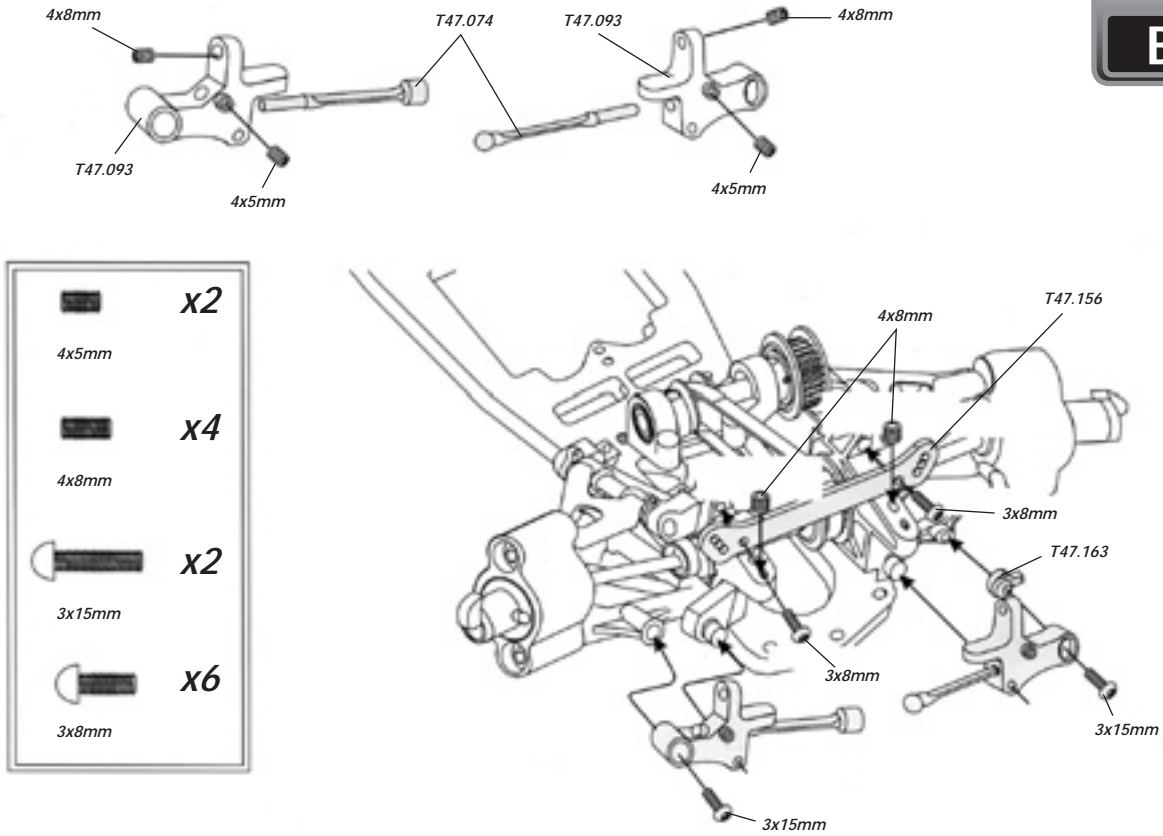
- T47.071
- 56mm
 - 82mm



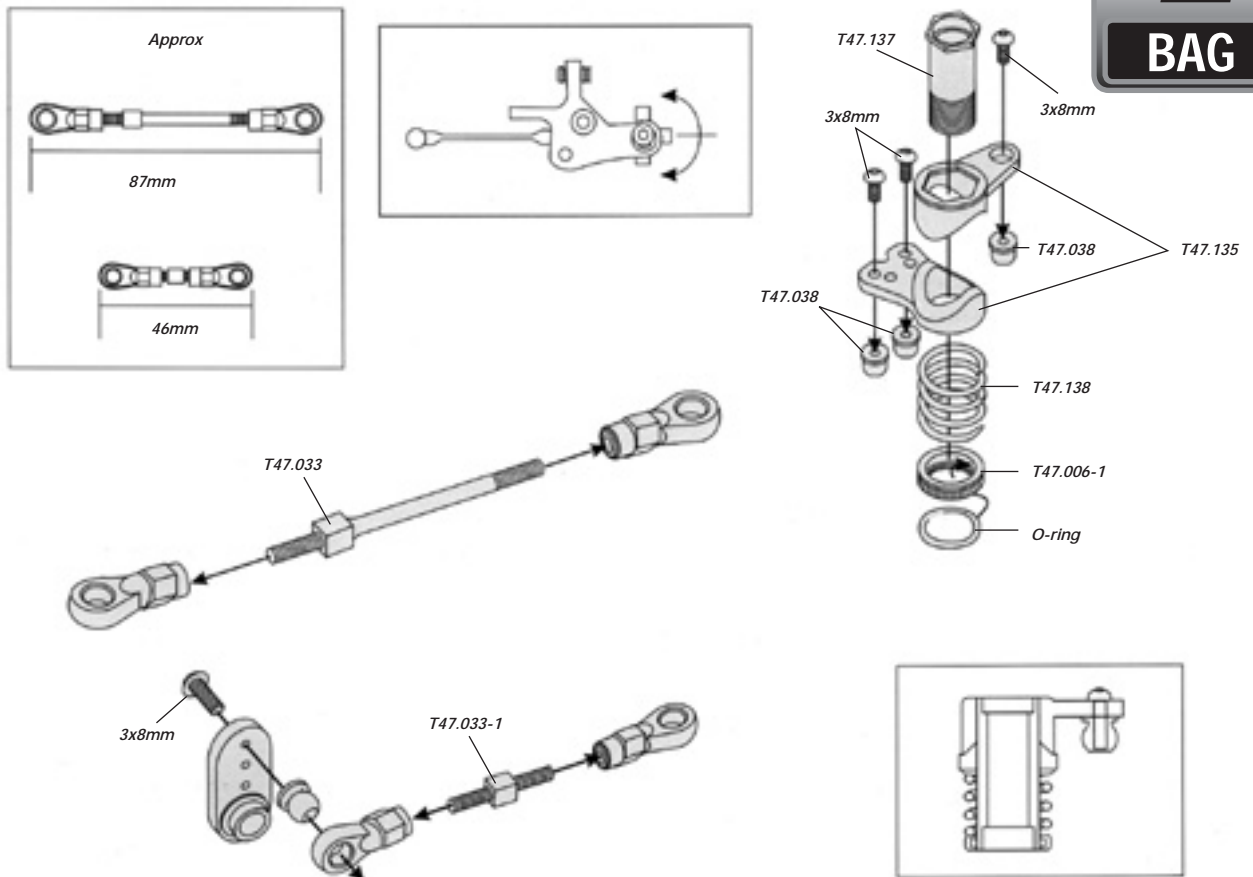
- T47.163
- x6**
4mm
 - x2**
3mm
 - x2**
1mm



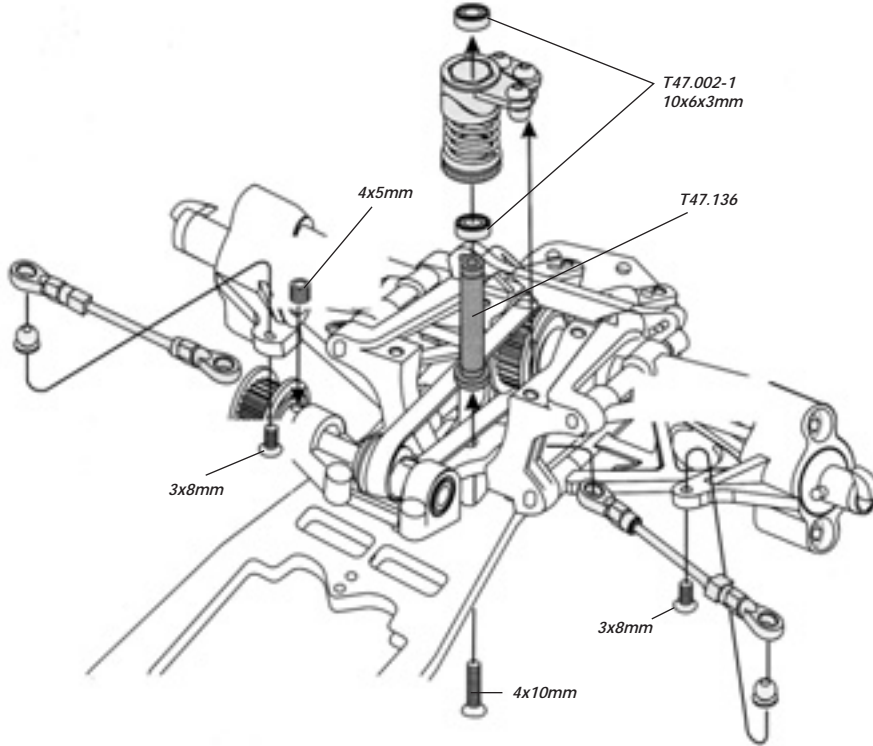
Assembly of the front suspension / Montage van de voorste ophanging /
 Montage de la suspension AV / Montierung von die vordere Querlenker oben



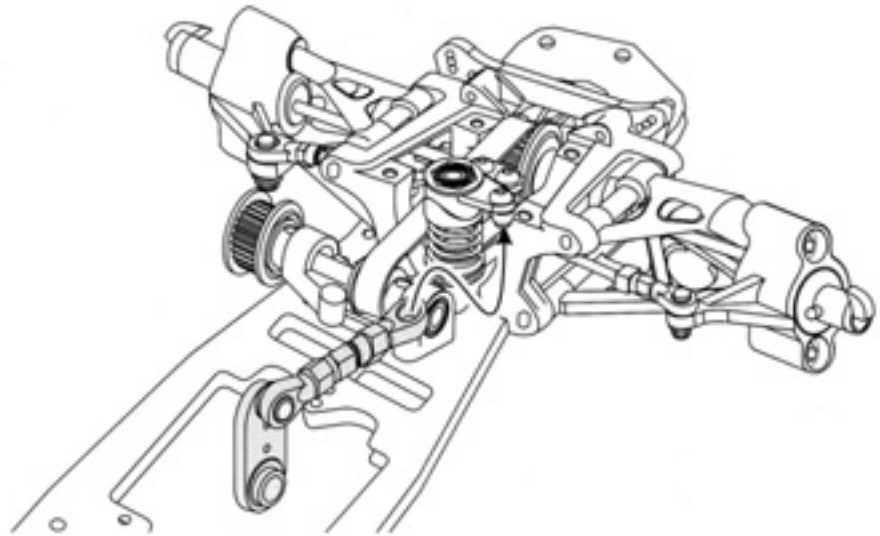
Assembly of the servo saver / Samenstellen van de servo saver
 Assemblage du sauve-servo / Zusammenstellen des Servo Savers



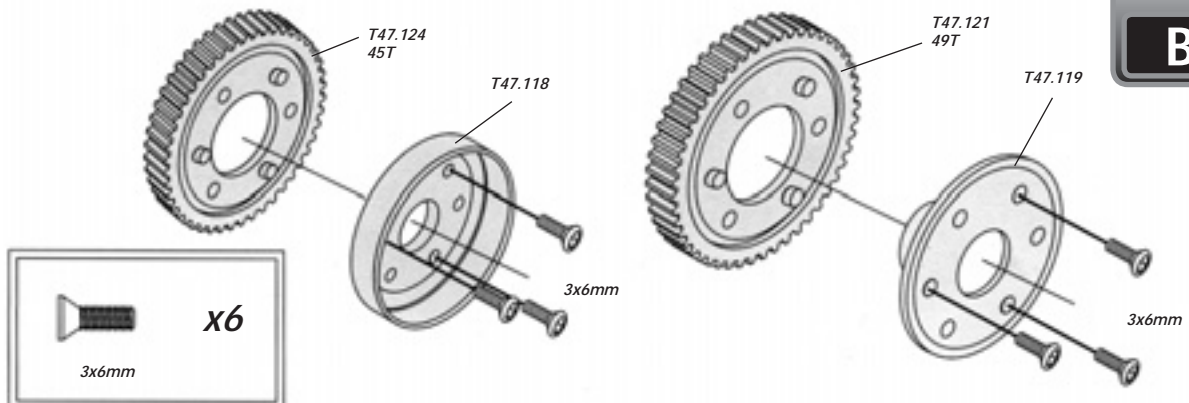
Mounting of the servo saver / Montage van de servo saver
 Montage du sauve-servo / Montierung des Servo Saver



- | | |
|--------|----|
| | x1 |
| 4x10mm | |
| | x1 |
| 4x5mm | |
| | x2 |
| 3x8mm | |

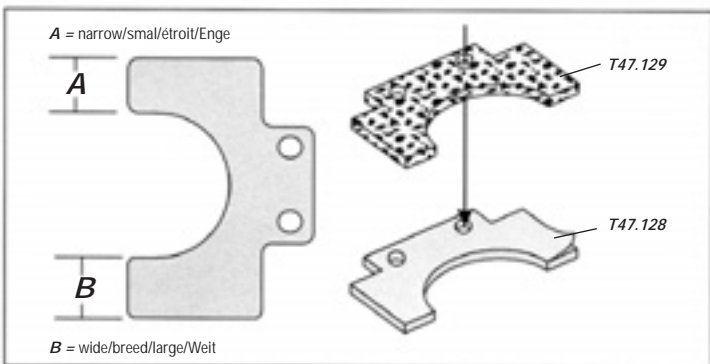
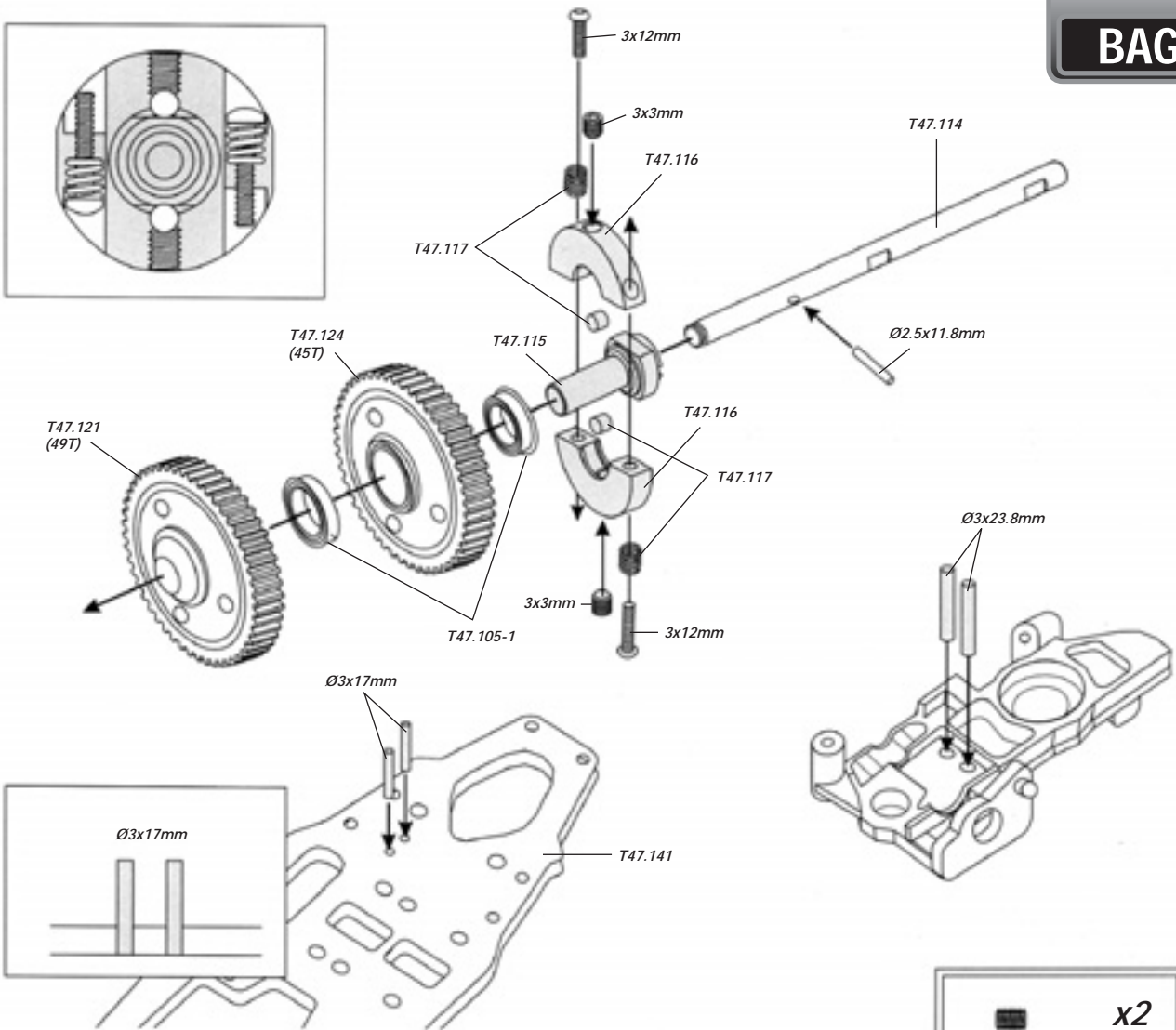


Assembling the gears / Samenstellen van de tandwielen
 Assemblage du couronne / Zusammenstellen von Zahnräder

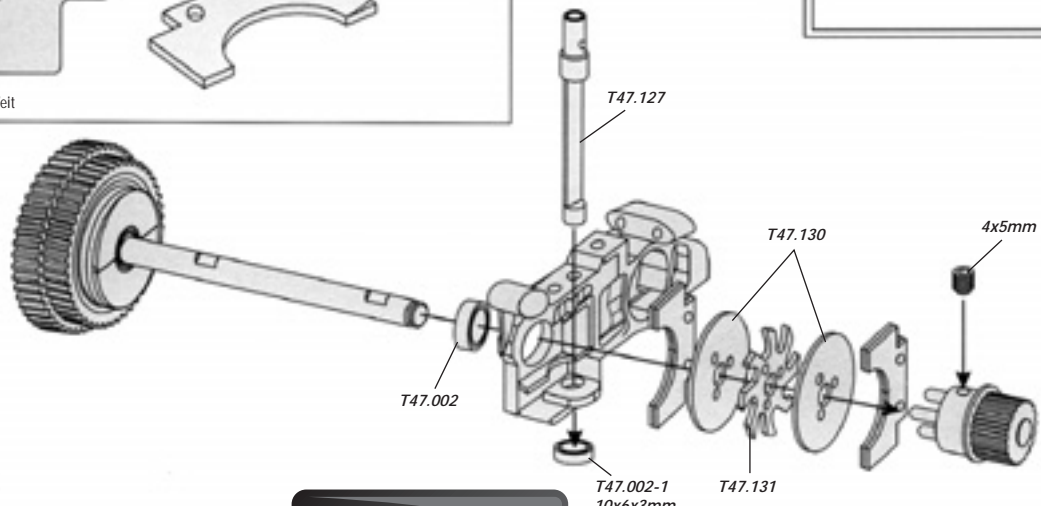


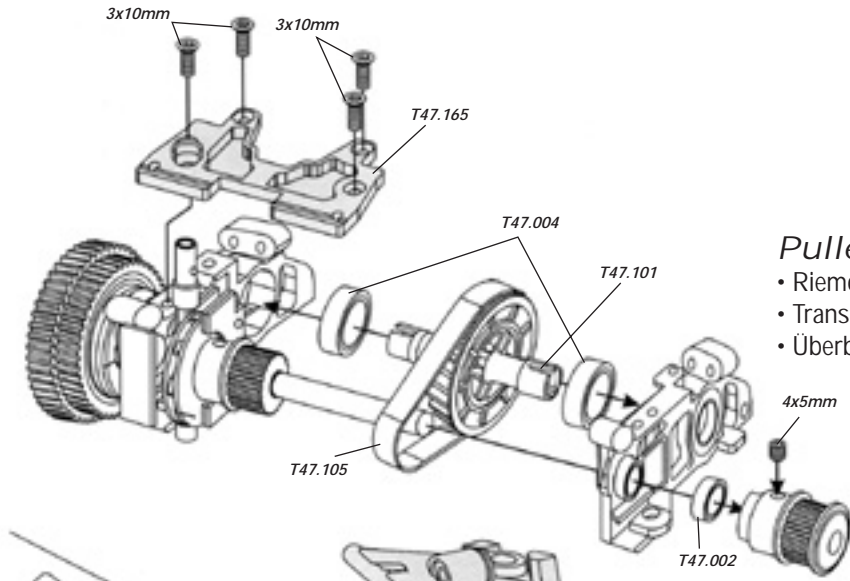
- | | |
|-------|----|
| | x6 |
| 3x6mm | |

Assembly of the gearbox / Samenstellen van de versnellingsbak /
 Assemblage du réducteur / Zusammenstellen des Getriebes

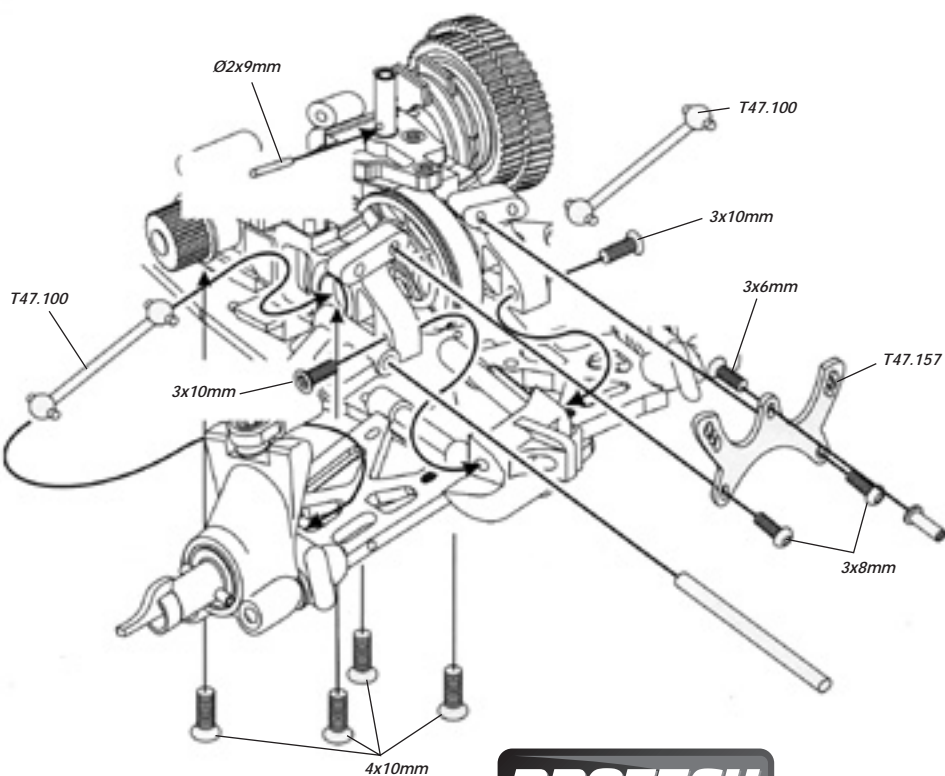
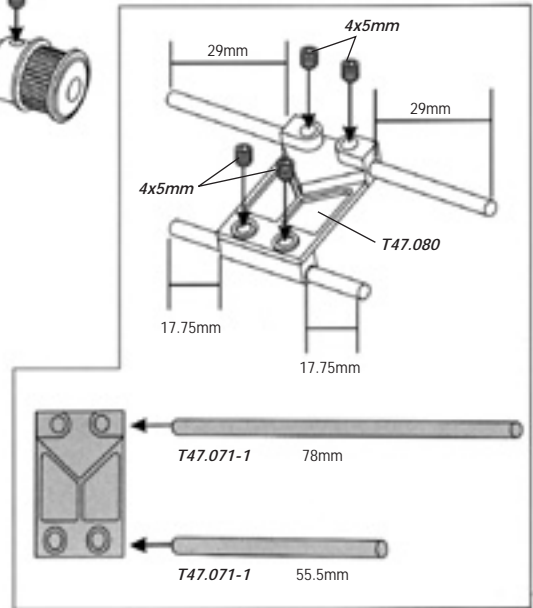
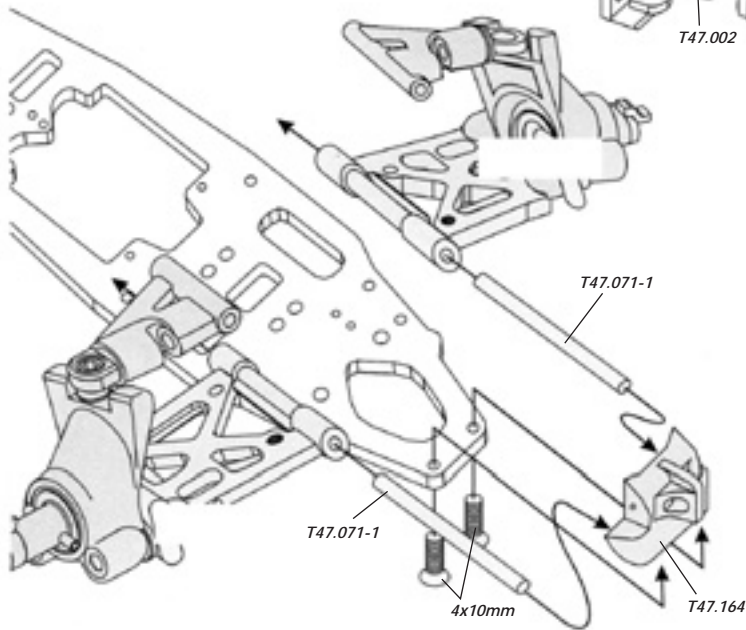


	x2
3x3mm	
	x1
4x5mm	
	x2
3x12mm	



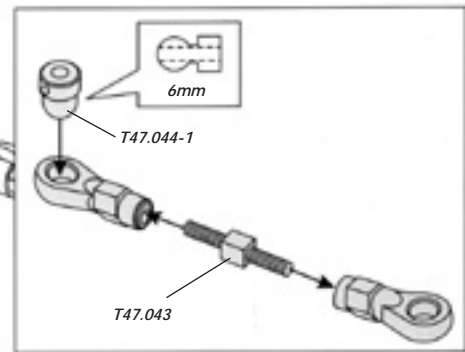
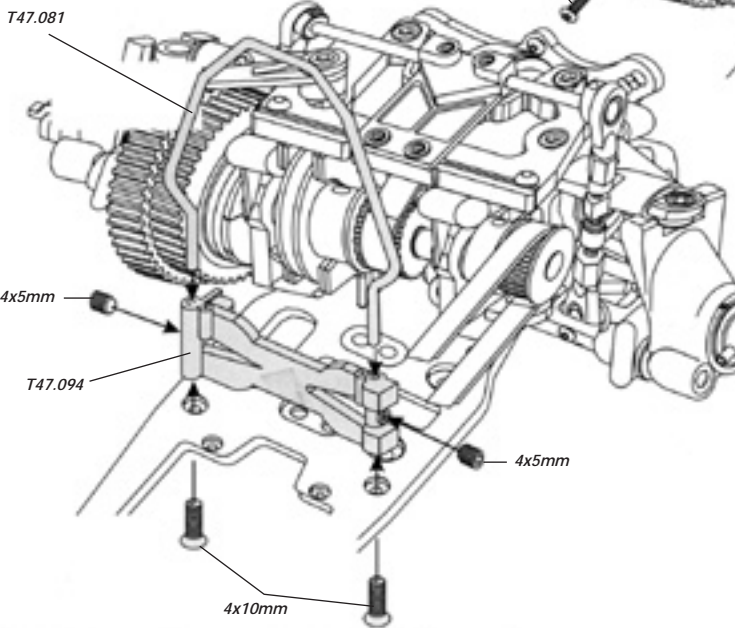
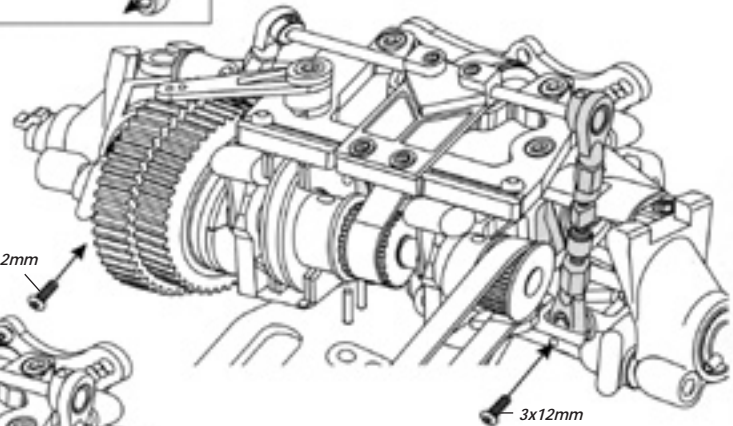
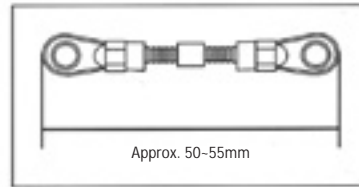
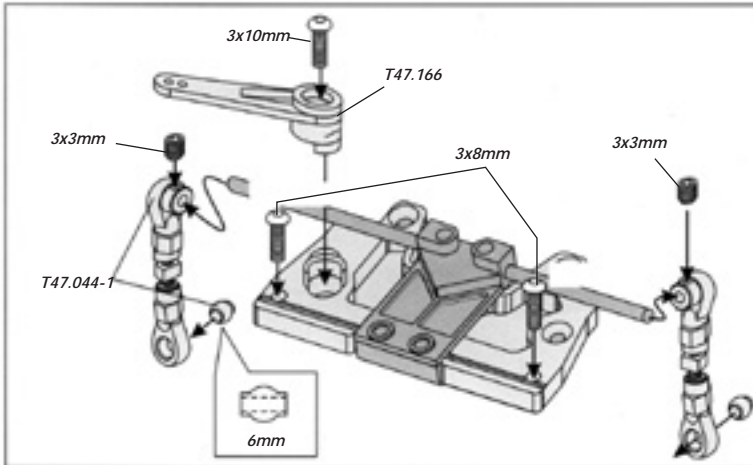


Pulley 18T
 • Riemoverbrenging 18T
 • Transmission 18D
 • Überbringung 18Z

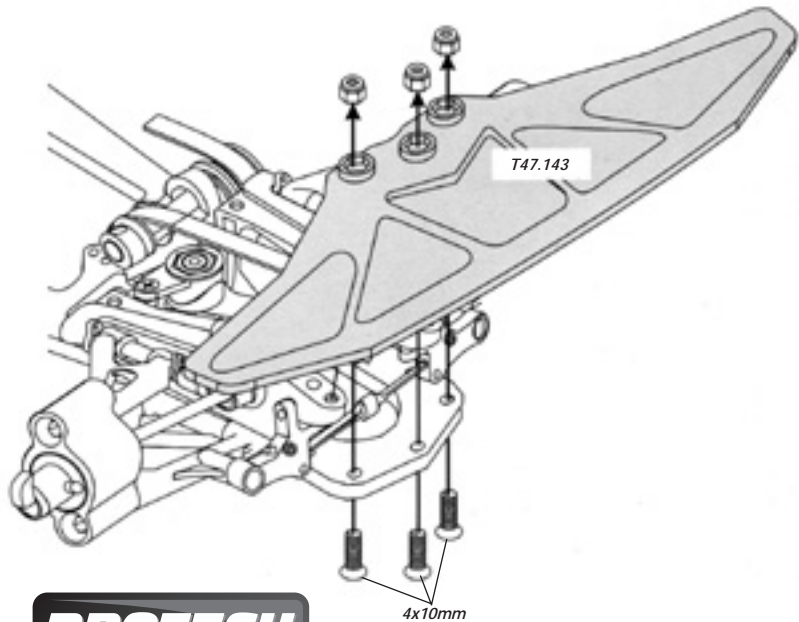


- | | |
|--------|----|
| | x6 |
| 4x10mm | |
| | x6 |
| 3x10mm | |
| | x2 |
| 3x8mm | |
| | x1 |
| 3x6mm | |
| | x5 |
| 4x5mm | |

Installing protection bar and bumper / Installeren van bescherming en bumper
 Installation de l'arceau et du pare-chocs / Installieren von Schutzstabe und Stoßdämpfer



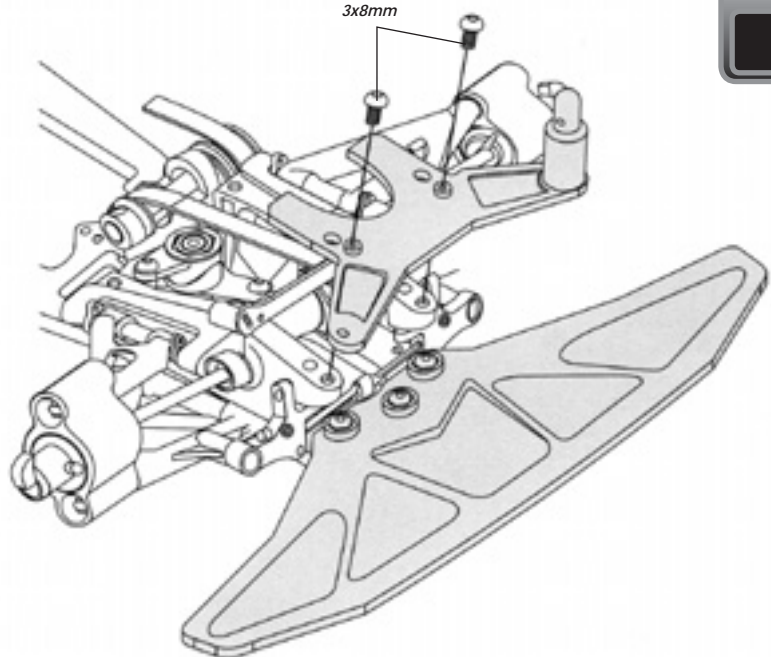
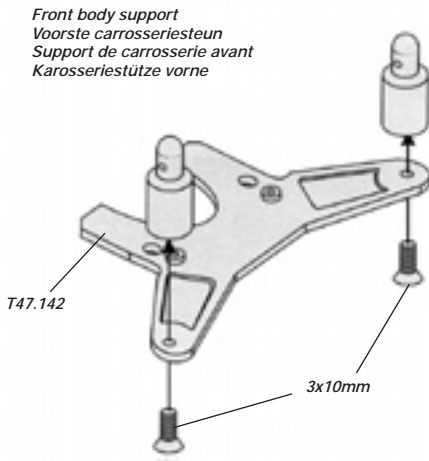
- | | | | |
|--|----|--|----|
| | x2 | | x2 |
| | x1 | | x2 |
| | x2 | | x3 |
| | x5 | | |



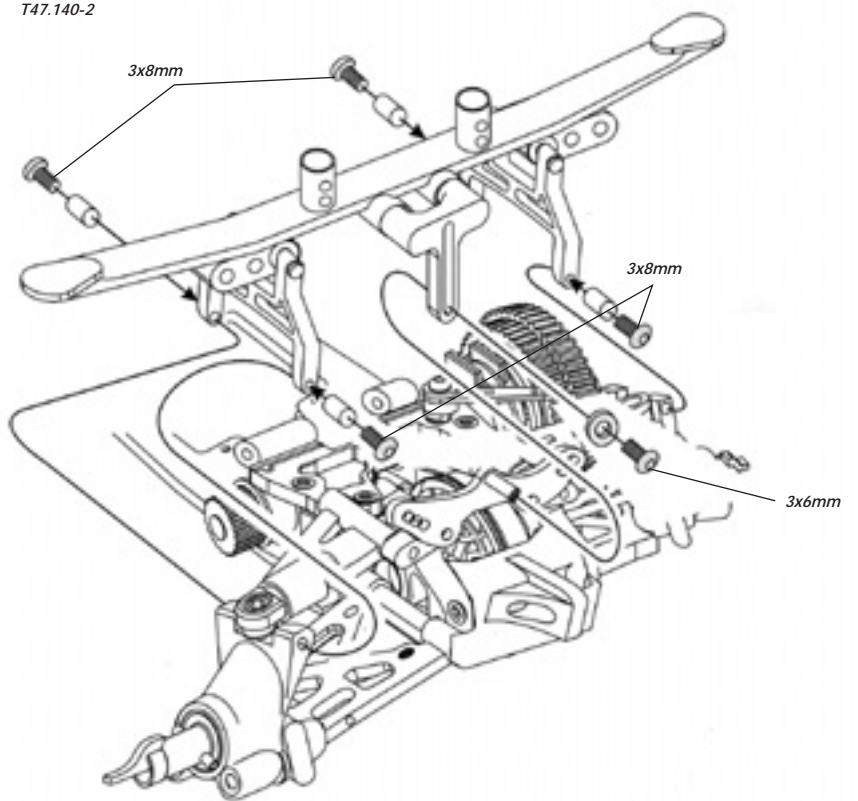
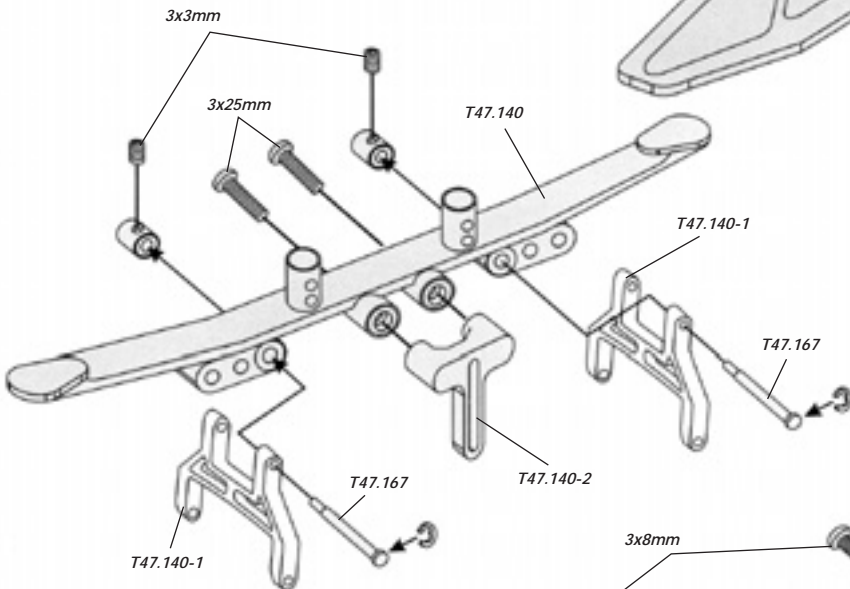
Installing the body supports / Installeren van de carrosseriesteunen
 Installation du support de carrosserie / Installieren von Karosseriestützen



Front body support
 Voorste carrosseriesteun
 Support de carrosserie avant
 Karosseriestütze vorne

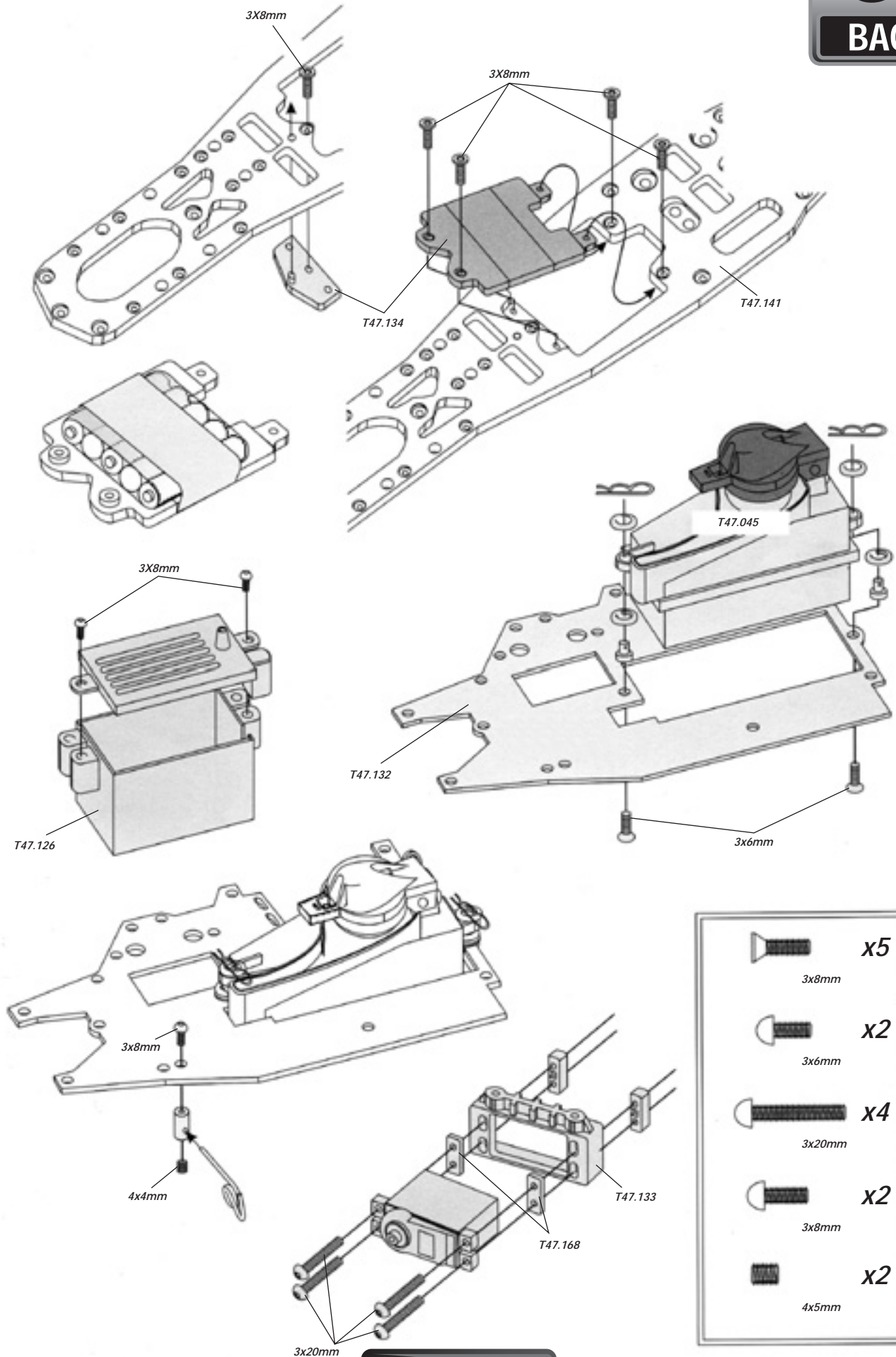


Rear body support
 Achterste carrosseriesteun
 Support de carrosserie arrière
 Karosseriestütze hinten

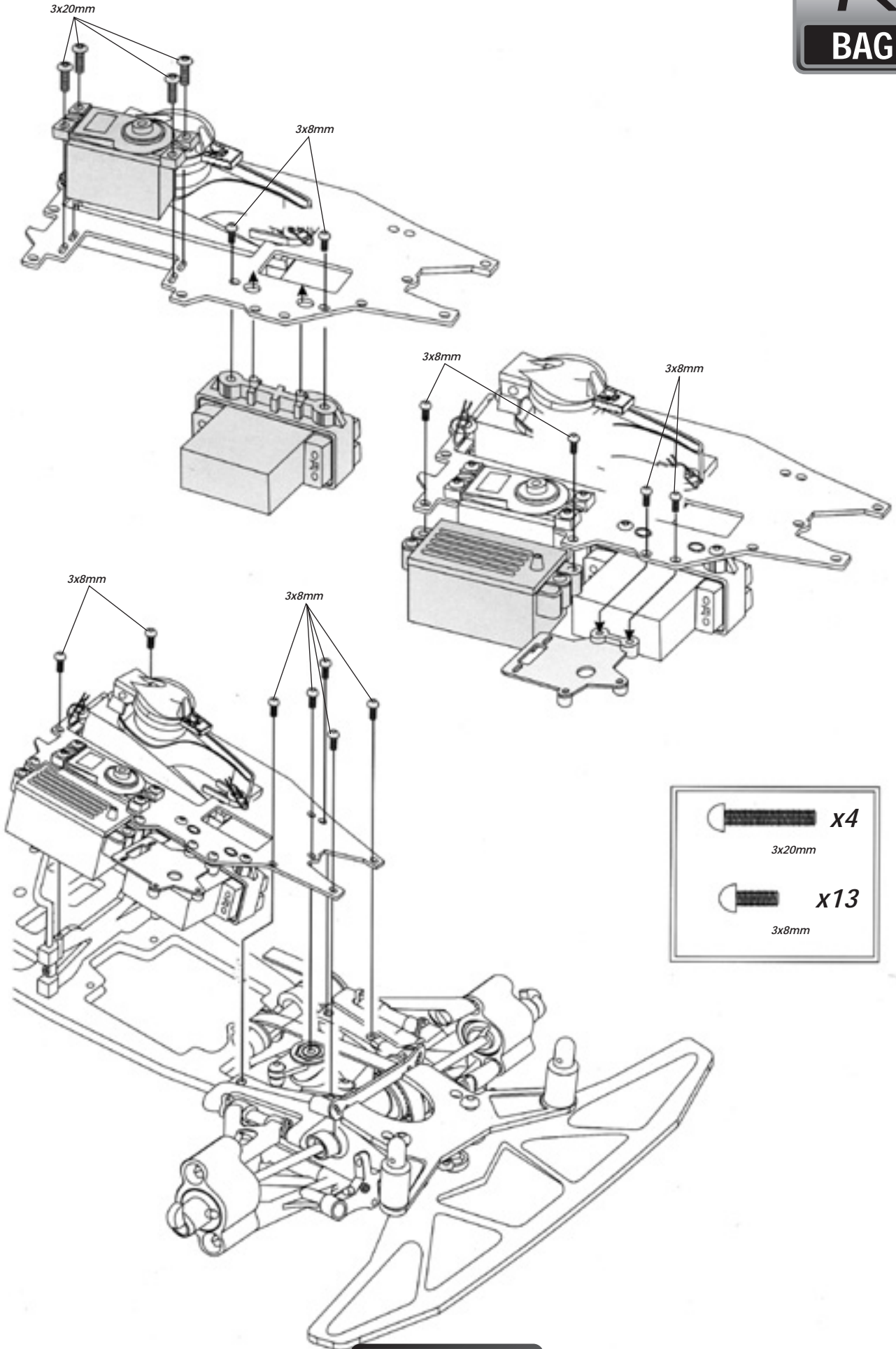


- | | |
|--------|----|
| | x2 |
| 3x25mm | |
| | x6 |
| 3x8mm | |
| | x1 |
| 3x6mm | |
| | x2 |
| 3x10mm | |
| | x2 |
| 3x3mm | |

Installing batteryholder & Fuelbottle / Installeren batterijhouder en Brandstoftank
 Installation du support de batterie et Réservoir / Installeren von Akkuhalter und Kraftstofftank



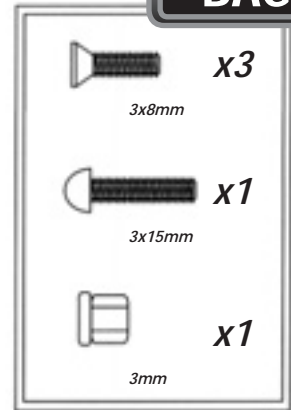
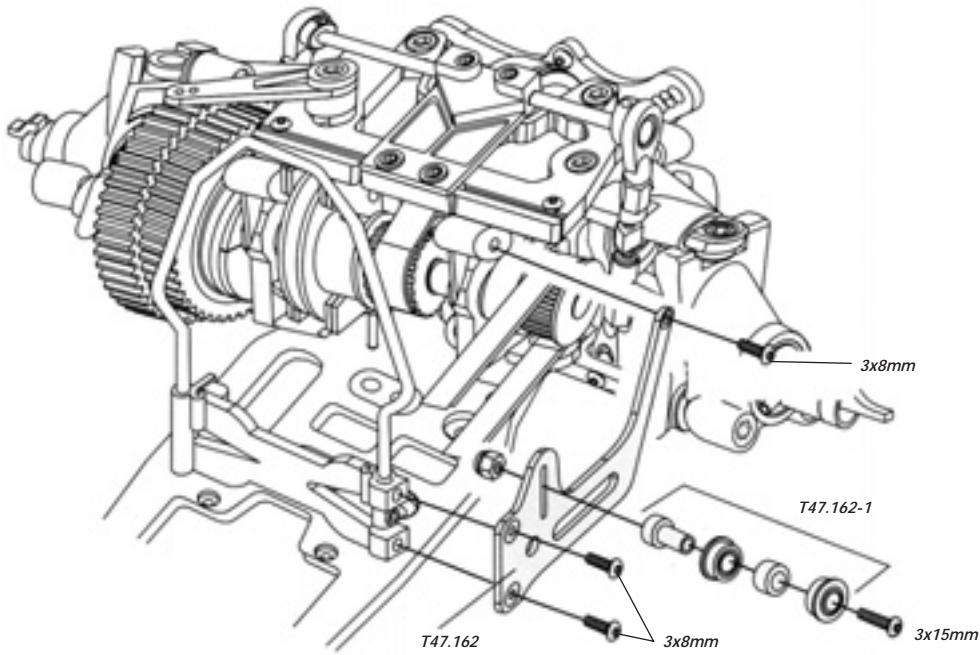
Instaling servos & radioplaat / Installeren van servo's en radioplaat
Installation du servos et la platine radio / Installieren von Servos und RC-Platte



Installing belt tensioner / Installeren van de riemspanner
 Installation du tendeur de courroie / Anbringen des Riemenstpanners

M

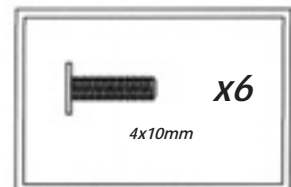
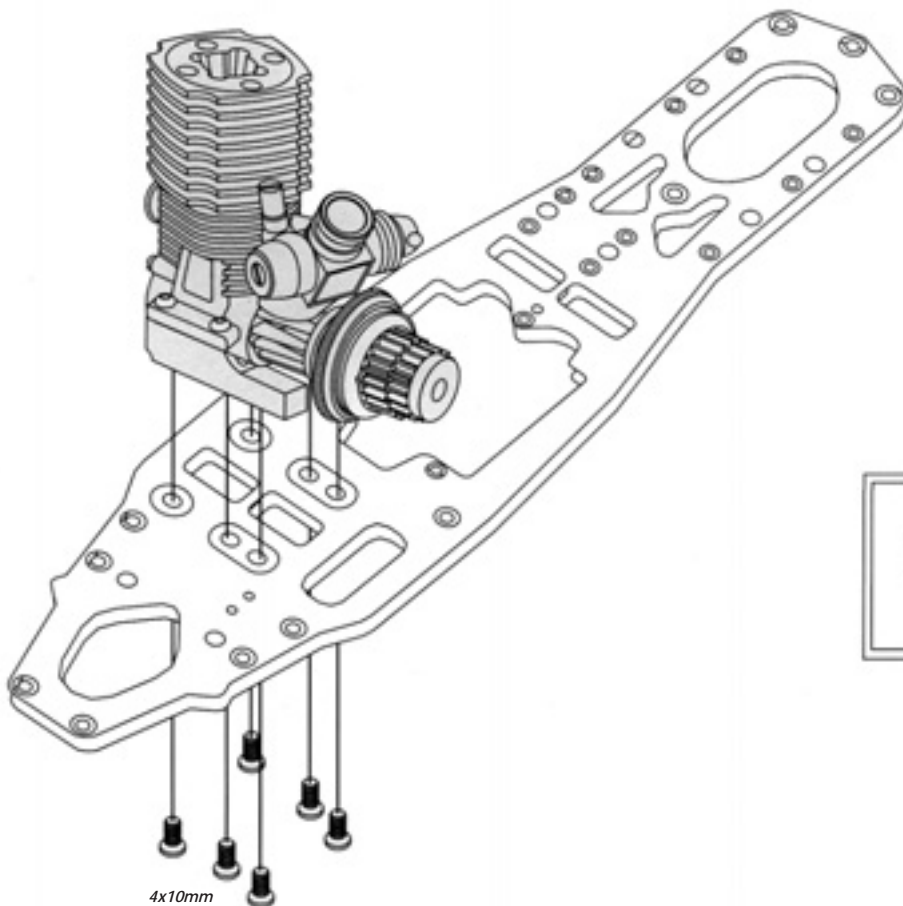
BAG



Instaling the engine / Installeren van de motor
 Installation du moteur / Installieren von Motor

M

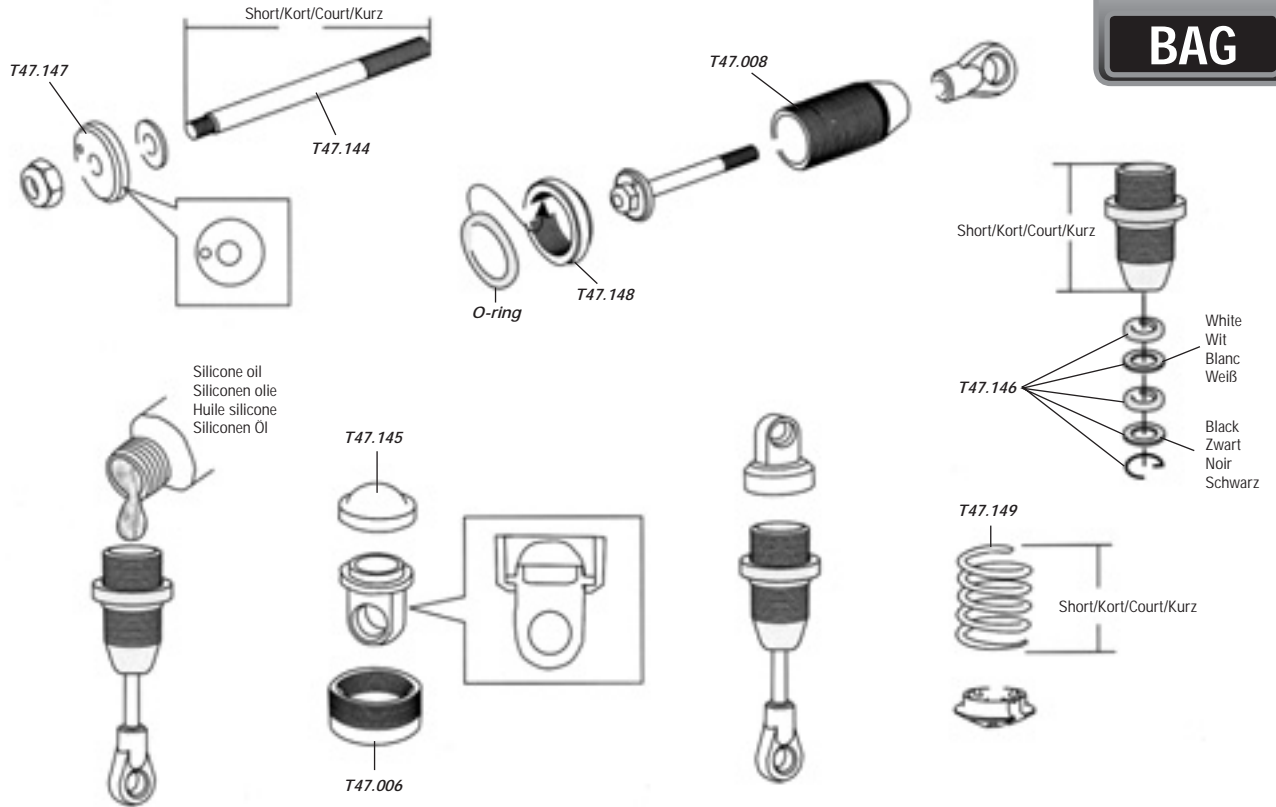
BAG



**Assembling the front shock absorbers / Samenstellen van de voorste schokdempers
Assemblage du amortisseurs avant / Zusammenstellen von die vordere Stoßdämpfer**

N

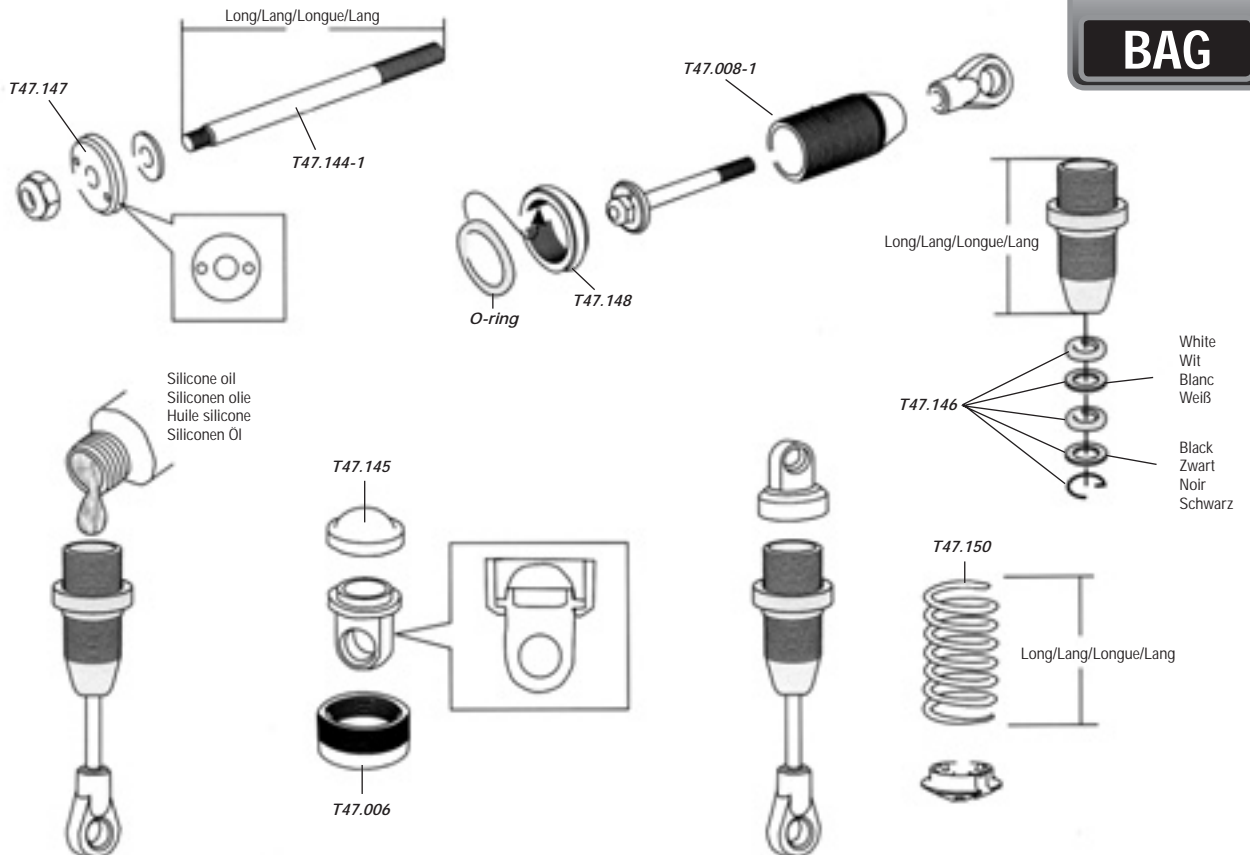
BAG



**Assembling the rear shock absorbers / Samenstellen van de achterste schokdempers
Assemblage du amortisseurs arrière / Zusammenstellen von die hintere Stoßdämpfer**

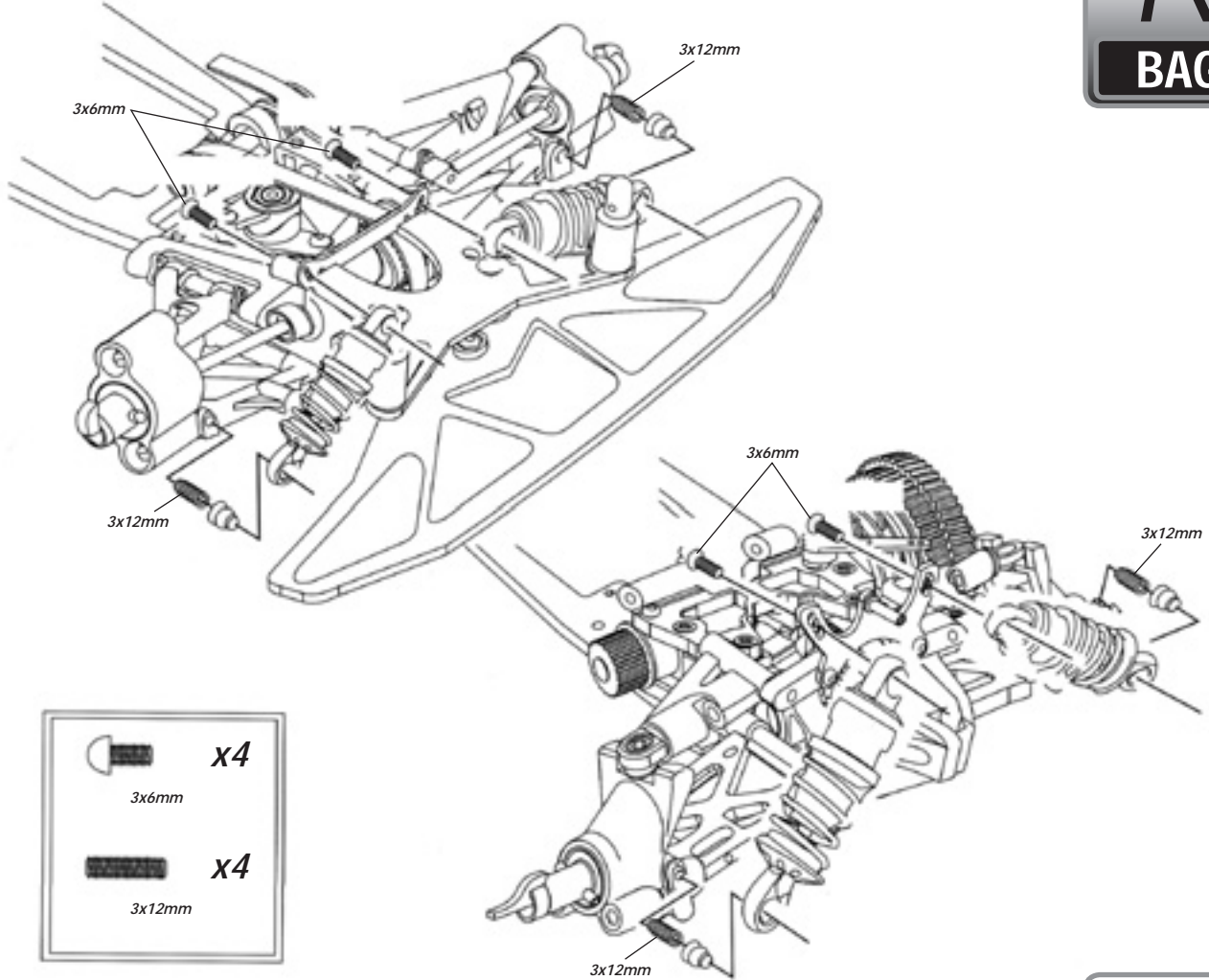
N



BAG



Installing the shock absorbers / Monteren van de schokdempers
 Installation du amortisseurs / Montieren von Stoßdämpfer

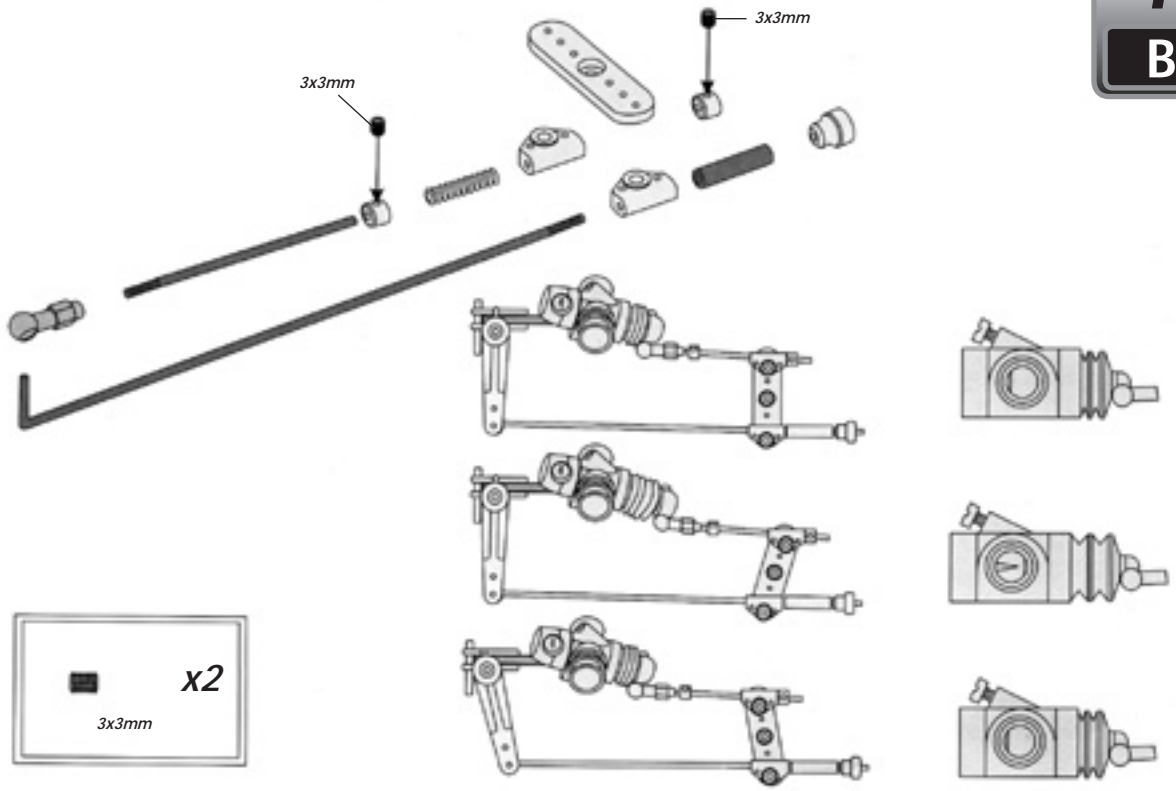
N
BAG



-  **x4**
3x6mm
-  **x4**
3x12mm

Assembly of the throttle linkage / Montage van de carburator aansturing /
 Montage de la commande de carburateur / Montieren von die Vergaser Anlenkung

N
BAG



-  **x2**
3x3mm

RACE

TRACK

DATE

TRACK TEMP.

AIR TEMP.

1st

2nd

<input type="checkbox"/>	<input type="checkbox"/>	<input type="checkbox"/>	<input type="checkbox"/>	<input type="checkbox"/>	<input type="checkbox"/>
47T	48T	49T	44T	45T	46T

1st

2nd

<input type="checkbox"/>	<input type="checkbox"/>	<input type="checkbox"/>	<input type="checkbox"/>	<input type="checkbox"/>	<input type="checkbox"/>
47T	48T	49T	44T	45T	46T

FRONT

REAR

OIL/W	SPRINGS	OIL/W
<input type="checkbox"/>	<input type="checkbox"/> ORANGE <input type="checkbox"/>	<input type="checkbox"/>
<input type="checkbox"/>	<input type="checkbox"/> WHITE <input type="checkbox"/>	<input type="checkbox"/>
<input type="checkbox"/>	<input type="checkbox"/> YELLOW <input type="checkbox"/>	<input type="checkbox"/>
MEMBRANE	<input type="checkbox"/> RED <input type="checkbox"/>	MEMBRANE
<input type="checkbox"/>	<input type="checkbox"/> BLUE <input type="checkbox"/>	<input type="checkbox"/>
STD <input type="checkbox"/> SOFT <input type="checkbox"/>		STD <input type="checkbox"/> SOFT <input type="checkbox"/>

LEFT	RIGHT	TYRES	LEFT	RIGHT
		MAKE		
<input type="checkbox"/> S <input type="checkbox"/> M	<input type="checkbox"/> S <input type="checkbox"/> M	STD/MULTI	<input type="checkbox"/> S <input type="checkbox"/> M	<input type="checkbox"/> S <input type="checkbox"/> M
°	°	SHORE	°	°
mm	mm	DIAMETER	mm	mm
mm	mm	5 MIN WEAR	mm	mm

ENGINE

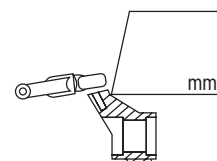
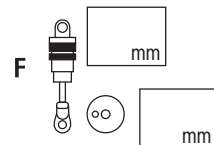
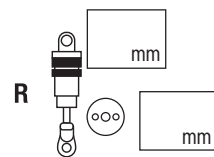
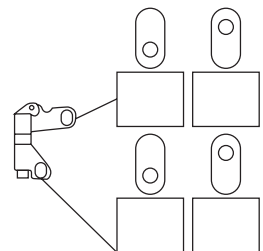
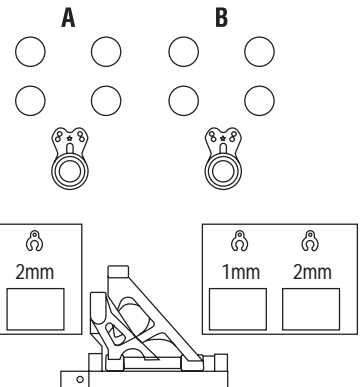
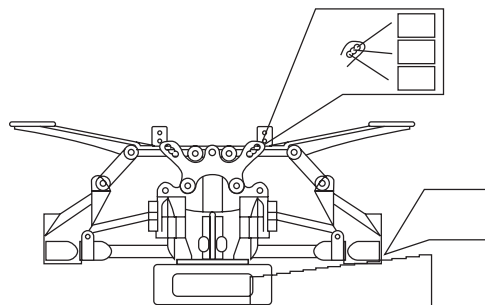
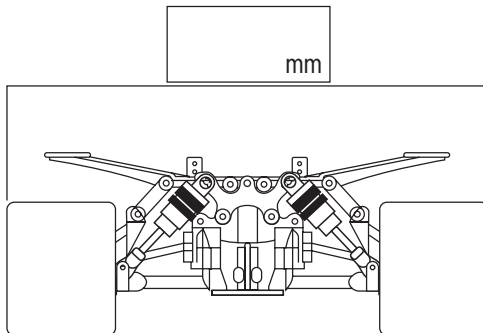
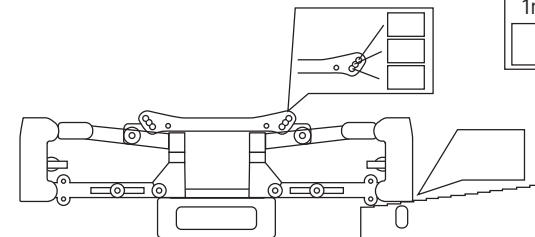
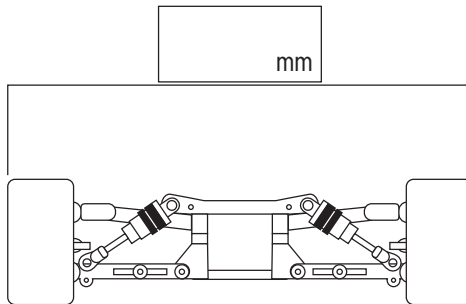
VERSION	HEADSHIMS	mm
GLOWPLUG	CARB. DIA.	mm

EXHAUST

FIXED HEADER	<input type="checkbox"/> LONG <input type="checkbox"/> MED <input type="checkbox"/> SHORT	PIPE LENGHT	mm
--------------	---	-------------	----

FUEL

NITRO	%	OIL	%
-------	---	-----	---



RACE

TRACK

DATE

TRACK TEMP.

AIR TEMP.

1st

2nd

<input type="checkbox"/>	<input type="checkbox"/>	<input type="checkbox"/>	<input type="checkbox"/>	<input type="checkbox"/>	<input type="checkbox"/>
47T	48T	49T	44T	45T	46T

1st

2nd

<input type="checkbox"/>	<input type="checkbox"/>	<input type="checkbox"/>	<input type="checkbox"/>	<input type="checkbox"/>	<input type="checkbox"/>
47T	48T	49T	44T	45T	46T

FRONT

REAR

OIL/W	SPRINGS	OIL/W
<input type="checkbox"/>	<input type="checkbox"/> ORANGE <input type="checkbox"/>	<input type="checkbox"/>
<input type="checkbox"/>	<input type="checkbox"/> WHITE <input type="checkbox"/>	<input type="checkbox"/>
<input type="checkbox"/>	<input type="checkbox"/> YELLOW <input type="checkbox"/>	<input type="checkbox"/>
MEMBRANE	<input type="checkbox"/> RED <input type="checkbox"/>	MEMBRANE
<input type="checkbox"/>	<input type="checkbox"/> BLUE <input type="checkbox"/>	<input type="checkbox"/>
STD <input type="checkbox"/> SOFT <input type="checkbox"/>		STD <input type="checkbox"/> SOFT <input type="checkbox"/>

LEFT	RIGHT	TYRES	LEFT	RIGHT
		MAKE		
<input type="checkbox"/> S <input type="checkbox"/> M	<input type="checkbox"/> S <input type="checkbox"/> M	STD/MULTI	<input type="checkbox"/> S <input type="checkbox"/> M	<input type="checkbox"/> S <input type="checkbox"/> M
°	°	SHORE	°	°
mm	mm	DIAMETER	mm	mm
mm	mm	5 MIN WEAR	mm	mm

ENGINE

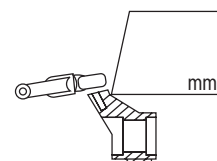
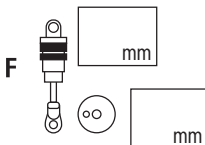
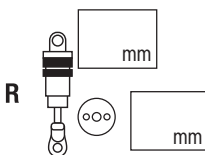
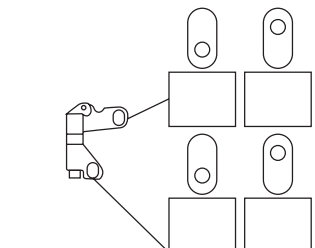
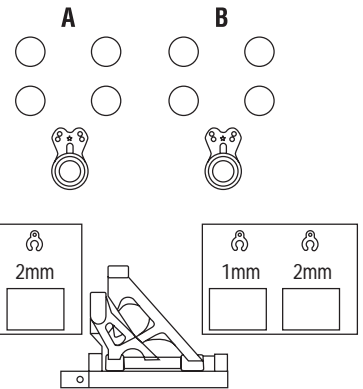
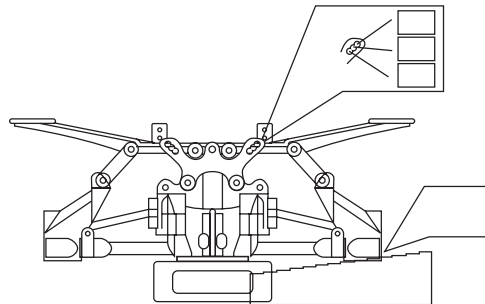
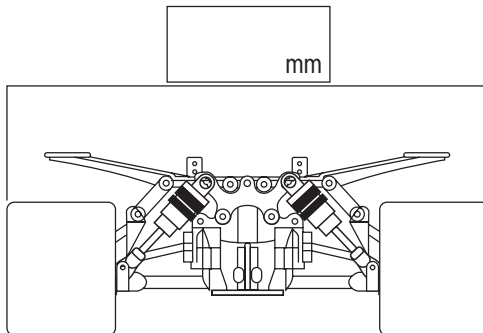
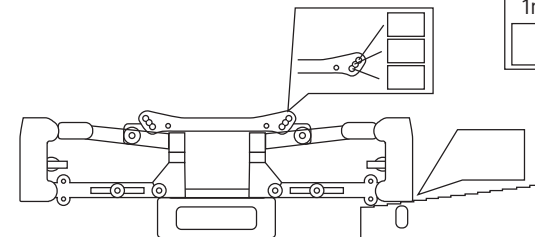
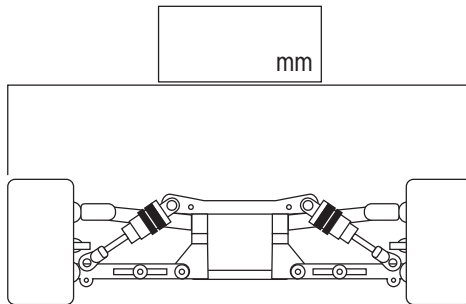
VERSION	HEADSHIMS	mm
GLOWPLUG	CARB. DIA.	mm

EXHAUST

FIXED HEADER	<input type="checkbox"/> LONG <input type="checkbox"/> MED <input type="checkbox"/> SHORT	PIPE LENGHT	mm
--------------	---	-------------	----

FUEL

NITRO	%	OIL	%
-------	---	-----	---



**Parts list / Onderdelenlijst
Liste des pièces / Sonderzubehör**

T47.000	Thrust bearing 10x5x4, 1pc
T47.001	Bearings 10x5x4, 2pcs
T47.002	Bearings 13x6x5, 2pcs
T47.002-1	Bearings 6x10x3, 3pcs
T47.003	Flat head socket, 6pcs
T47.004	Bearings 21x12x5, 2pcs
T47.005	Bearing 10x5x4, 1pc
T47.005-1	Flanged bearings 12x8x3, 2pcs
T47.006	Alum. Shock caps, 2pcs
T47.006-1	Servo saver retainer, 2pcs
T47.007	7075 Engine mounts, 1pc
T47.008	Front Shock Bodies, short, 2pcs
T47.008-1	Rear Shock Bodies, long, 2pcs
T47.009	Front Shock, set
T47.010	Rear Shock, set
T47.011	1/8 airfilter
T47.013	SG Clutch Nut
T47.014	Large Clutch Shoe
T47.015	7075 T6 Clutch Bell
T47.017	7075 Machined Flywheel
T47.018	Small Clutch Shoes, 4pcs
T47.019	Clutch Spring Retainer
T47.020	Clutch Spring Adjuster
T47.022	7075 T6 Pinion (std), 16T
T47.023	7075 T6 Pinion (opt), 17T
T47.024	7075 T6 Pinion (opt), 18T
T47.025	7075 T6 Pinion (std), 19T
T47.026	7075 T6 Pinion (opt), 20T
T47.027	7075 T6 Pinion (opt), 21T
T47.029	Heavy Clutch Spring, 12kg

T47.030	Heavy Clutch Spring, 16kg
T47.031	Heavy Clutch Spring, 20kg
T47.033	Front Turnbuckle Set
T47.034	Servo steering linkage
T47.035	Antenna Tube, 2pcs
T47.037	E-Clip Set
T47.038	6mm Steel Ball, 10pcs
T47.039	8mm Steel Ball, 2pcs
T47.040	Pin set
T47.041	6mm Ball Ends, 10pcs
T47.041-1	8mm Ball Ends, 2pcs
T47.042	
T47.043	R Turnbuckle, 2pcs
T47.044	
T47.044-1	6mm Steel ball, 10pcs
T47.045	Fuel Tank
T47.047	Alum. Pipe Mount
T47.048	Spring Wire
T47.071	F/R Hingepin 3,5mm, set
T47.071-1	Shaft 3mm, 2pcs
T47.072	
T47.073	Short Pivot Balls, 4pcs
T47.073-1	Long Pivot Balls, 4pcs
T47.074	Front Sway Bar
T47.075	Rear Upper Turnbuckles
T47.076	Front Layshaft Mount
T47.077	Pivot Ball Retainers
T47.078	Shims 12x18x0.5mm, 10pcs
T47.079	Shims 12x18x0.3mm, 10pcs
T47.080	Rear Sway Bar Mount

T47.081	Roll Bar
T47.082	3.5mm Pin, 8pcs
T47.083	Front Bulkhead, set
T47.084	Rear Bulkhead, set
T47.086	Front Upper Arm, 1pcs
T47.087	Rear Upper Arm, 1pcs
T47.088	Front Lower Arm, 1pcs
T47.089	Rear Lower Arm, 1pcs
T47.090	Rear Hub Carriers
T47.092	Rear steering, 8pcs
T47.093	Front Sway Bar Mount
T47.094	Radio Tray Mount
T47.095	Pulley Set
T47.096	One-way Outdrives
T47.097	L/R Front Knuckles
T47.098	Front Layshaft
T47.099	Front QC Levers
T47.099-1	Quick Change Springs, 4pcs
T47.100	Rear Dogbones, 2pcs
T47.101	Rear Solid Axle
T47.102	Front QC Axles, 2pcs
T47.102-1	Rear QC Axles, 2pcs
T47.103	Rear QC Lever
T47.104	Bando Belt-Front
T47.105	Bando Belt-Rear
T47.106	Bando Belt-Rear
T47.110	Front Oneway Axle
T47.111	Front Dogbones, 2pcs
T47.114	Rear Layshaft
T47.115	2-Speed Shaft

**Parts list / Onderdelenlijst
Liste des pièces / Sonderzubehör**

T47.116	2-Speed Shoes, 2pcs
T47.117	2-Speed Springs/Barrels
T47.118	2nd Gear Plate
T47.119	1st Gear Plate w/bearing
T47.120	50T Spur(opt)
T47.121	49T Spur(std)
T47.122	48T Spur(opt)
T47.123	44T Spur(opt)
T47.124	45T Spur(std)
T47.125	46T Spur(opt)
T47.126	Receiver Case
T47.127	Brake Actuator
T47.128	Brake Calipers
T47.129	Brake Pads
T47.130	Brake Discs(2)
T47.131	Brake Cooler
T47.132	Carbon Radio Tray
T47.133	Steering Servo Mount
T47.134	Battery Tray
T47.135	Servo Saver Bellcrank
T47.136	Servo Saver Post
T47.137	Aluminum Post
T47.138	Servo Saver Spring
T47.140	Rear Body Mount
T47.140-1	R Body Mount Support
T47.140-2	R Body Mount Brace
T47.141	7075 T6 Machined Chassis
T47.142	F Body Mount Plate
T47.143	Bumper
T47.144	Front Shock Shafts, small, 2pcs

T47.144-1	Rear Shock Shafts, long, 2pcs
T47.145	Shock Diaphragms, 4pcs
T47.146	Shock Rebuild Kit
T47.147	Shock Pistons F/R, 4pcs
T47.148	Shock Spring Adjusters, 2pcs
T47.149	Front Springs(Gray)1.8mm
T47.150	Rear Springs(Gray)1.8mm
T47.151	Front Springs(yellow)1.9mm
T47.152	Rear Springs(yellow)1.9mm
T47.156	Carbon F Shock Tower
T47.157	Carbon R Shock Tower
T47.159	Short Pulley Holder 16T
T47.160	Long Pulley Holder 18T,25T,26T
T47.161	Brake Pulley Mount 20T
T47.162	Left Side Alum. Brace
T47.162-1	Belt Tensioner Set 8x5x3/2
T47.163	Caster Clips
T47.164	Rear Bulkhead Cap
T47.165	Rear Bulkhead Brace
T47.166	Brake Lever
T47.167	Rear Body Mount Hardware
T47.168	Servo Mounts/Spacers
T47.169	Thrust Bearing Carrier
T47.170	Clutch Shims 8x5.1x0.1mm, 10pcs
T47.170-1	Clutch Shims 8x3.5x0.1mm, 10pcs
T47.171	Clutch Plate
T47.172	Hardware Set

OPTIONS	
T47.200	Push-type Clutch Set
T47.211	7075 F Sway Bar Mounts
T47.212	7075 R Sway Bar Mounts
T47.213	Carbon Battery Tray
T47.214	Carbon Side Brace
T47.215	Aluminum Radio Tray
T47.216	F Layshaft Mount
T47.217	Red Rulon Clutch Shoe
T47.218	HD Brake Pads
T47.219	Body stiffener mount
T47.220	MC Nylon Body mount
T47.221	Steering
T47.222	One -Engine mount
T47.223	Brake lever
T47.224	Servo saver bellcrank
T47.225	Pin steering mount
T47.226	F/ball universal/QC Lerevs
T47.227	R/ball universal/QC Lerevs
T47.226-1	F/Shaft/CVD
T47.227-1	R/Shaft/CVD
T47.228	F/ball universal/Nut
T47.228-1	ALU. Nut
T47.229	R/ball universal/Nut
T47.230	7075 Alu.F/shock tower
T47.231	7076 Alu.R/shock tower
T47.232	Receiver case
T47.233	Front Springs(yellow)1.9mm
T47.234	Rear Springs(yellow)1.9mm