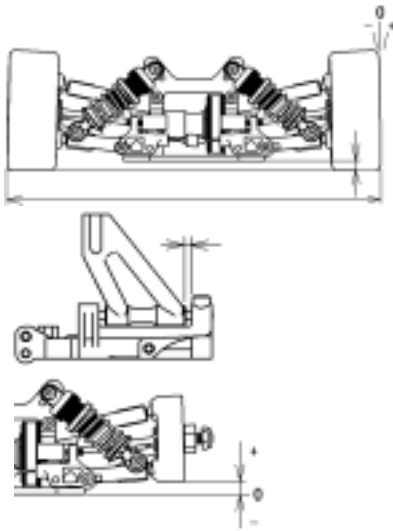


Name: _____
Date: _____
Track: _____

Track Conditions

Size: Open Med. Tight
 Traction: High Med. Low
 Surface: Smooth Med. Bumpy

Front suspension



Track width _____ mm
 Ride height _____ mm
 Camber angle _____ °
 Caster angle _____ mm
 Toe angle _____ °
 Rebound stop _____ mm
 Bump stop
 None Use
 Anti-roll bar

Steering Ackerman (T0304)

A B C

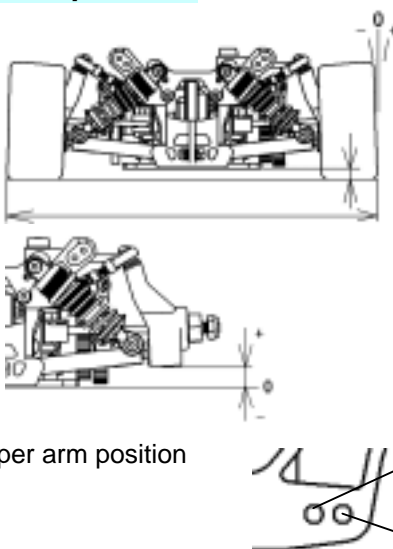
Front shocks

Piston _____
 Oil # _____
 Spring _____
 Shock position

Front diff.

Gear diff.
 Oil # _____
 One way

Rear suspension



Track width _____ mm
 Ride height _____ mm
 Camber angle _____ °
 Toe angle _____ °
 Rebound stop _____ mm
 Bump stop
 None Use
 Lower arm position (T0128,T0129)
 4mm(A-A) 5mm(B-B) 6mm(C-C)
 Anti-roll bar _____ mm

Upper arm position



Rear shocks

Piston _____
 Oil # _____
 Spring _____
 Shock position

Rear diff.

Oil # _____

Engine

Type _____
 Gasket _____ mm Muffler _____
 Plug _____ Fuel _____

Clutch

Clutch shoes Black Gray
 Centrifugal shoe _____
 Spring _____
 Clutch bell clearance _____ mm
 Spring Adj. Nut position _____ mm

Tire

Front	Rear
Type _____	Type _____
Dia.(start) <u> L </u> / <u> R </u>	Dia.(start) <u> L </u> / <u> R </u>
Dia.(finish) <u> L </u> / <u> R </u>	Dia.(finish) <u> L </u> / <u> R </u>

Body

Type _____
 Wing _____

Drive ratio

1st _____ / _____
 2nd _____ / _____

Brake pad

Black Yellow

Result

Race time / Lap _____
 Best lap (1Lap) _____

Comments:

.....

