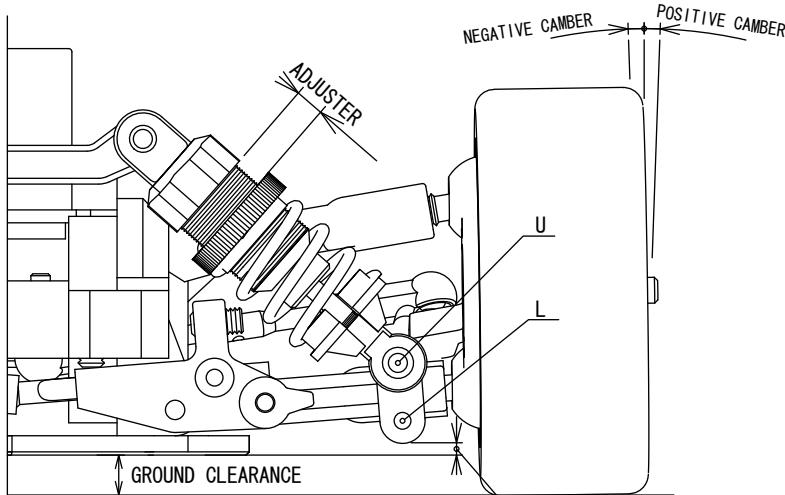


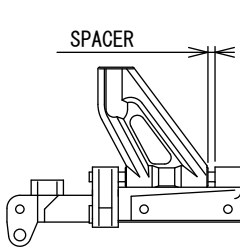
V-ONE RR Evo.

SETTING DATA SHEET Ver1.00

NAME		TEMP	°C	ENGINE		MUFFLER		MANIFOLD	
DATA		HUMIDITY	%	HEAD CLEARANCE	mm	FUEL TYPE			
TRACK		TRACTION	%	PLUG No.		RADIO			

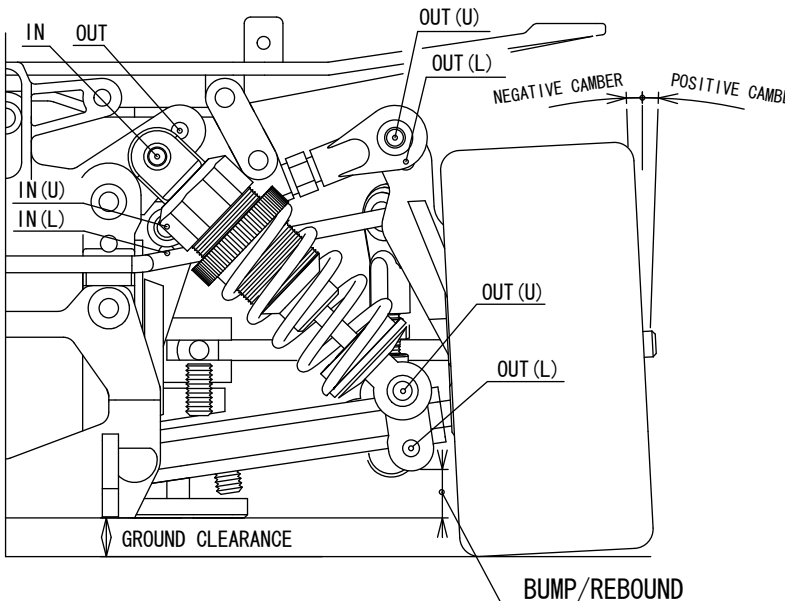


SHOCK OIL	300 350 400 450 500 550 600 700
SHOCK PISTON	
SPRING	SILVER BLACK GOLD
SPRING ADJUSTER	mm
SHOCK POS	U L
CASTER ANGLE	mm
CAMBER ANGLE	OG/1G 0 0.5 1.0 1.5 2.0
TOE ANGLE	mm
FRONT WIDTH	mm
BUMP STROKE	mm
REBOUND STOP	mm
STABILIZER BAR	
TIRE TYPE	
TIRE SIZE	φ mm
GRAND CLEARANCE	mm
DIFF. /ONEWAY	



CASTER ANGLE	
4mm	6°
3mm	8°
2mm	10°
1mm	12°
0mm	14°

SERVO SAVER	10 11 12
ST D/R	%
BRAKE RATE	%
UPPER POS	



SHOCK OIL	300 350 400 450 500 550 600 700
SHOCK PISTON	
SPRING	SILVER BLACK GOLD
SPRING ADJUSTER	mm
SHOCK POS	U (IN OUT) - L (U L)
UPPER ARM POS	IN (U L) - OUT (U L)
CAMBER ANGLE	OG/1G 0 0.5 1.0 1.5 2.0 2.5 3.0
TOE ANGLE	
REAR WIDTH	mm
BUMP STROKE	mm
REBOUND STOP	mm
STABILIZER BAR	SILVER BLACK GOLD
DIFF OIL	#
TIRE TYPE	
TIRE SIZE	φ mm
GRAND CLEARANCE	mm
SIDE PULLEY	25 26 27
BODY	

GEAR	TOTAL	GEAR	TOTAL	GEAR	TOTAL	GEAR	TOTAL	GEAR	TOTAL					
20	59	7.45	21	59	7.10	22	59	6.78	25	55	5.56	26	56	5.44
20	60	7.58	21	60	7.22	22	60	6.89	25	56	5.66	27	55	5.15
20	61	7.71	21	61	7.34	22	61	7.00	26	55	5.34	27	56	5.24

CLUCH TYPE	3D / 4D	SPRING	
CLUCH WEIGHT		GEAR	20 21 22 / 25 26 27
CLUCH SHOE		GEAR	59 60 61 / 55 56
CLEARANCE	mm		
ADJUST NUT	mm		

BODY POSITION	
REAR SPOILER HEIGHT	
REAR SPOILER ANGLE	